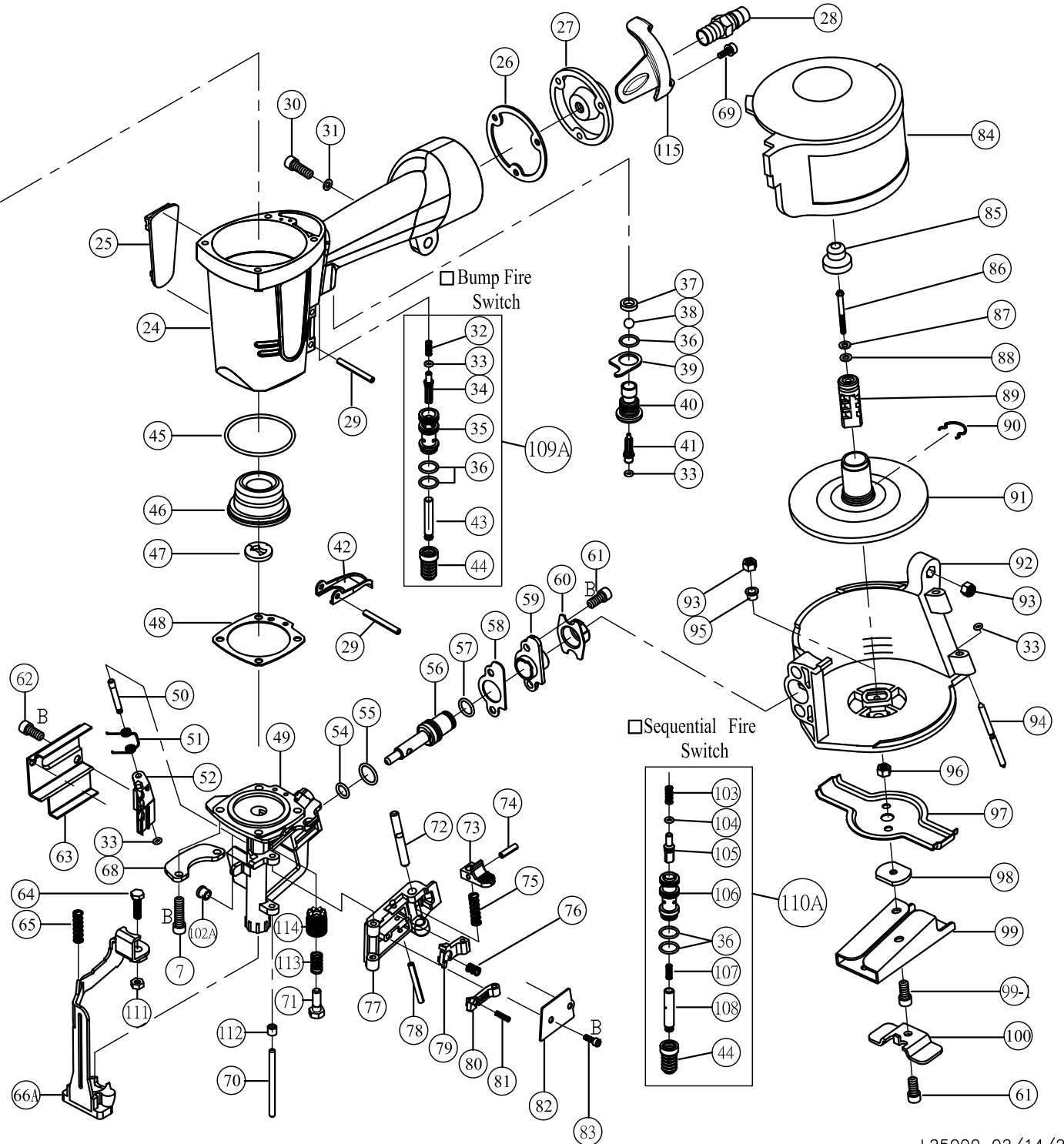
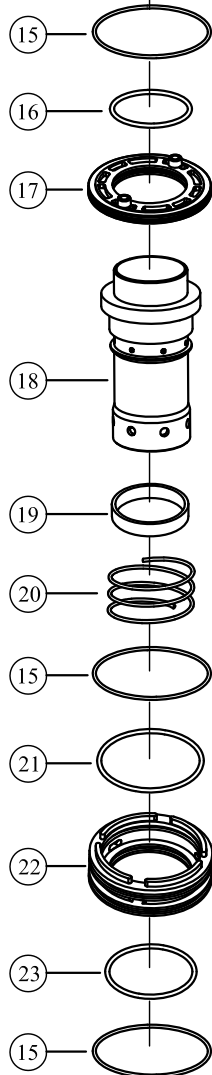
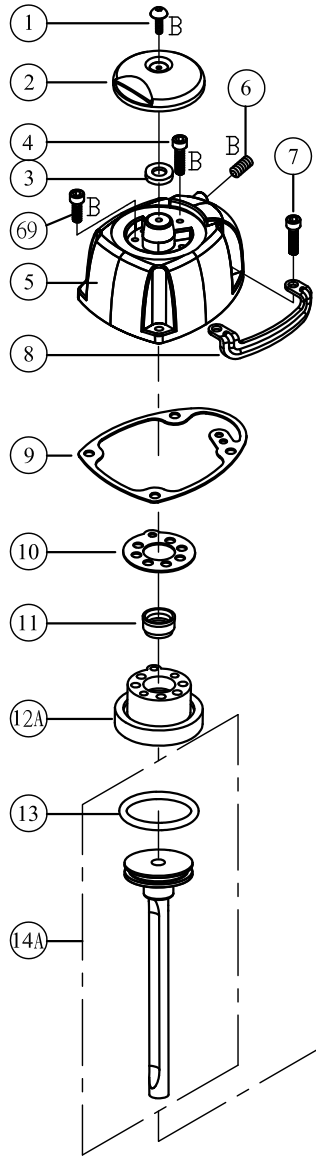


MODEL RN-45E2



*B : APPLY LOCTITE 242

PARTS LIST (RN-45E2)

*WHEN ORDERING SPARE PARTS, PLEASE STATE ITEM No, PART NO. AND DESCRIPTION.

ITEM	PART NO	DESCRIPTION	QTY	ITEM	PART NO	DESCRIPTION	QTY	ITEM	PART NO	DESCRIPTION	QTY
001	US05080B-10	UM.HD.BOLT	1	035	25003501	TRIGGER VALVE	1	071	HH06100B-18	HEXAGONAL BOLT	1
002	25000201	EXHAUST COVER	1	036	OR11515N	O RING	3	072	25007201	LOCK SHAFT	1
003	15300401	PU RING	1	037	25003701	SEAL	1	073	25007301	GUIDE LOCK	1
004	HS05080BW-25	HEX.SOC.HD.BOLT+SW	1	038	25003801	VALVE BALL	1	074	RP3012S	ROLLED PIN	1
005	25000501	CAP	1	039	25003901	VALVE PLATE	1	075	25007501	COMPRESSION SPRING	1
006	SS05080B-06	SET SCREW	1	040	25004001	TRIGGER VALVE CAP	1	076	25007601	COMPRESSION SPRING	1
007	HS05080BW-20	HEX.SOC.HD.BOLT+SW	8	041	25004101	PLUNGER	1	077	25007702	DOOR	1
008	25000801	PROTECTOR	2	042	25004201	TRIGGER	1	078	RP3028S	ROLLED PIN	1
009	25000902	CAP SEAL	1	043	25004301	PLUNGER(A)	1	079	25007901	CHECK PAWL(A)	1
010	25001002	GASKET**	1	044	25004401	VALVE RUBBER COVER	1	080	25008001	CHECK PAWL(B)	1
011	25001101	EXHAUST VALVE	1	045	OR43824M	O RING	1	081	25008101	COMPRESSION SPRING	1
012A	25001201A	STOPPER	1	046	25004601	BUMPER	1	082	25008201	DOOR COVER	1
013	OR30735M	O RING	1	047	25004701	SHEET	1	083	HS04070BW-06	HEX.SOC.HD.BOLT+SW	2
014A	25001401A	DRIVER ASSEMBLY**	1	048	25004801	NOSE SEAL	1	084	25008401	MAGAZINE COVER	1
015	OR64520N	O RING	3	049	25004901	NOSE	1	085	25008501	HOLDER CAP	1
016	OR41924M	O RING	1	050	25005001	STEP PIN	1	086	CH04070B-50	CAP.HD.SCREW	1
017	25001701	CYLINDER PLATE	1	051	25005101	TORSTON SPRING	1	087	SW0800W	SPRING WASHER	1
018	25001801	CYLINDER	1	052	25005201	FEED PAWL	1	088	FW040080B-05	FLAT WASHER	1
019	25001901	CYLINDER SEAL	1	054	OR08819N	O RING**	1	089	25008901	MAGAZINE POST	1
020	25002001	CYLINDER SPRING	1	055	OR13819M	O RING	1	090	25009001	RATCHET SPRING	1
021	OR56224M	O RING	1	056	25005601	FEED PISTON	1	091	25009101	NAIL SUPPORT UNIT	1
022	25002201	CYLINDER RING	1	057	OR11019M	O RING	1	092	25009201	MAGAZINE	1
023	OR47224M	O RING	1	058	25005802	FEED PISTON SEAL	1	093	LN0500N	LOCK NUT	3
024	25002401	BODY	1	059	25005901	FEED PISTON COVER	1	094	25009401	STEP PIN	1
025	25002501	PLASTIC LABEL	2	060	25006001	MAGAZINE BUSHING	1	095	25009501	SLEEVE	2
026	15107001	GASKET	1	061	HS05080BW-10	HEX.SOC.HD.BOLT+SW	3	096	LN0400N	LOCK NUT	1
027	15107101	END CAP	1	062	HS05080BW-08	HEX.SOC.HD.BOLT+SW	2	097	25009701	MAGAZINE GUARD	1
028	12106401	AIR PLUG	1	063	25006301	GUARD	1	098	25009801	PLATE	1
029	RP3030S	ROLLED PIN	2	064	25006401	HEXAGONAL BOLT	1	099	25009901	GUIDE BASE	1
030	HS05080B-22	HEX.SOC.HD.BOLT	1	065	25006501	COMPRESSION SPRING	1	099-1	HS05080B-14	HEX.SOC.HD.BOLT	2
031	FW050120B-10	FLAT WASHER	1	066A	25006602A	CONTACT ARM UNIT	1	100	25010001	SHINGLE GUIDE	1
032	25003201	SPRING	1	068	25006801	PROTECTOR	2	102A	25010201A	MAGNET ASSEMBLY	1
033	OR02819N1	O RING**	4	069	HS05080BW-16	HEX.SOC.HD.BOLT+SW	4	103	25010301	PLUNGER SPRING (S)	1
034	25003401	PLUNGER(B)	1	070	25007002	STRAIGHT PIN	1	104	OR04020N	O RING**	1

