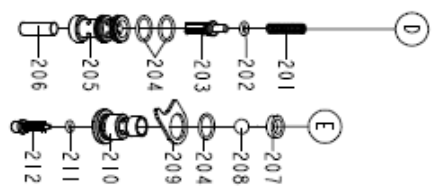
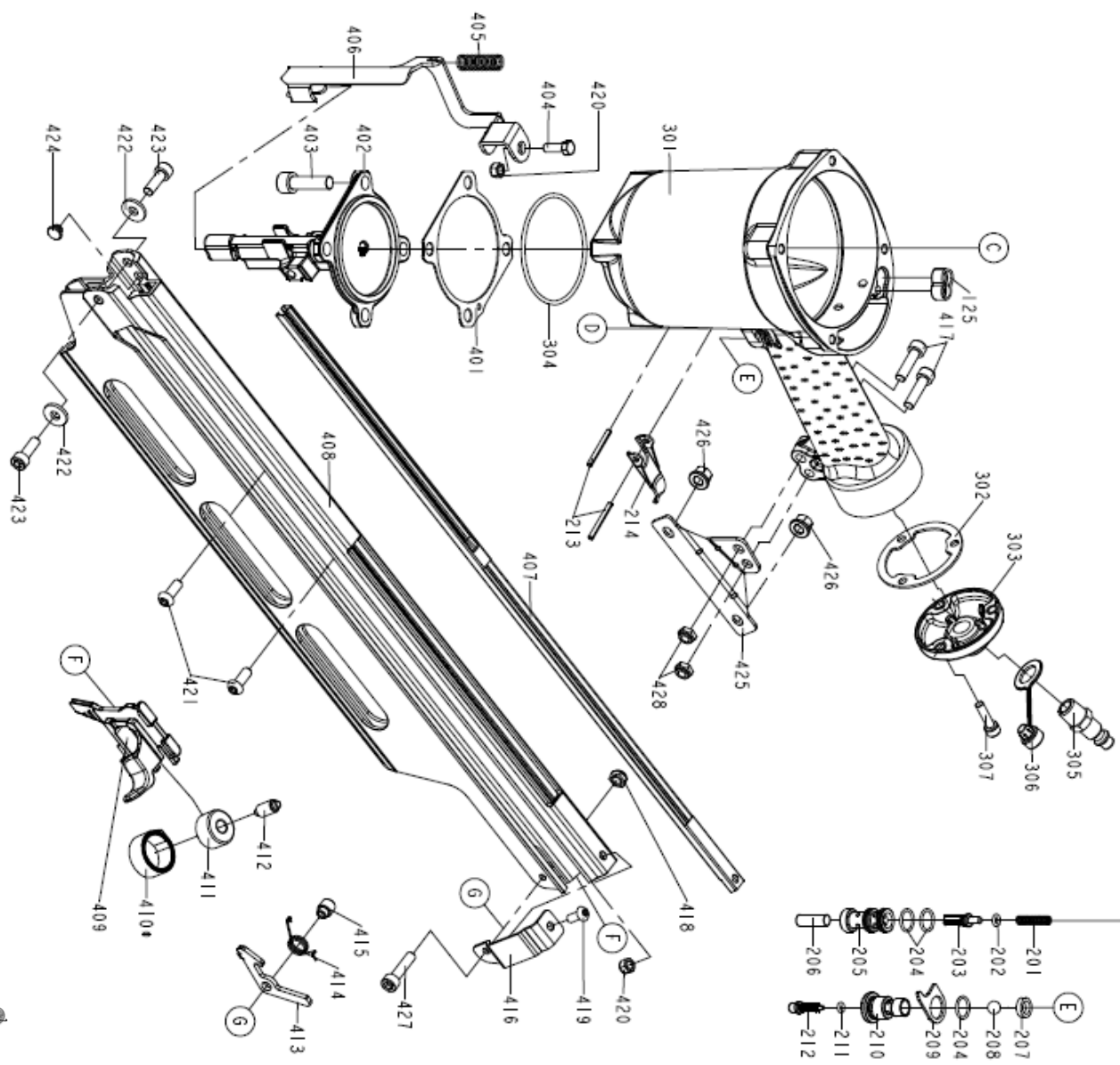
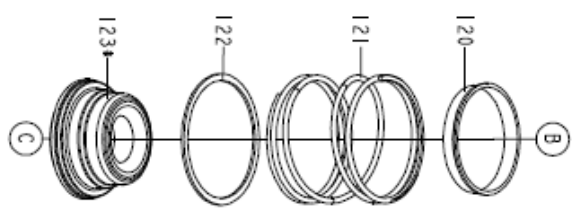
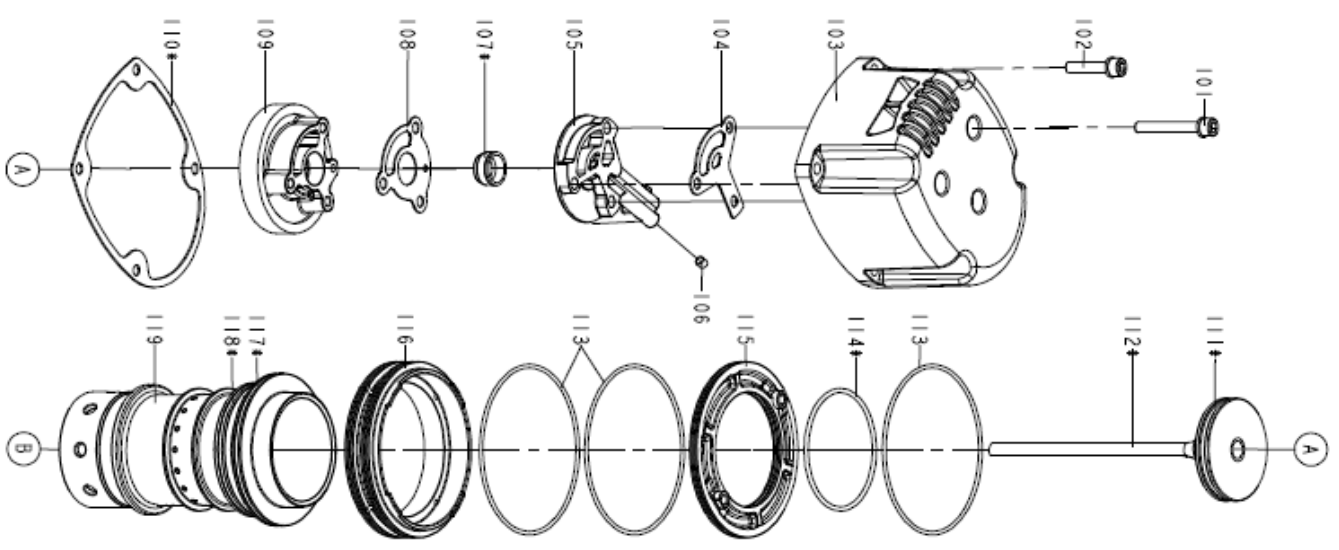


# AXXIS PNEUMATICS

## NRH83 Strip Nailer

Exploded View Diagram—Dec. 2015



# AXXIS PNEUMATICS

NRH83 2015.12.01

ITEM	PARTS NO	DESCRIPTION	ITEM	PARTS NO	DESCRIPTION	ITEM	PARTS NO	DESCRIPTION
101	2040100-04140-0	BOLT ASSY	203	1133S-1310001-1	VALVE PLUNGER	408	11389-1314701-1	MAGAZINE A
102	2040100-04030-0	BOLT ASSY	204	2041109-02040-0	O - RING	409	11363-1314701-1	PUSHER
103	11369-1310901-1	CAP	205	11373-1310001-1	TRIGGER VALVE HEAD	410*	11372-1310001-1	SPRING
104	1132M-1310001-1	INLET PACKING	206	11335-1310001-1	SAFETY	411	11386-1310001-1	ROLLING ELEMENT
105	113B1-1310001-1	INLET	207	1136X-1314701-1	SEAL	412	11385-1310001-1	ROLL PIN
106	2040104-03010-0	HEX.SOC.HD.SCREW	208	113BK-1310001-1	BALL VALVE	413	11343-1314701-1	LATCH
107*	11370-1310001-1	SEAL	209	1137E-1314701-1	FIX-PLATE	414	11315-1314701-1	SPRING
108	1132M-1310002-1	HD.VALVE PISTON PACKING	210	11374-1310001-1	PLUNGER CAP	415	113BF-1310002-1	LATCH SPACER RING
109	11202-1310001-1	HD.VALVE PISTON UNIT	211	2041108-01120-0	O - RING	416	11390-1314701-1	PROTECTING HOOD COVER
110*	11302-1310001-1	CYLINDER CAP SEAL	212	11375-1310001-1	PLUNGER	417	2040101-04080-0	HEX.SOC.HD.BOLT
111*	2041100-05090-0	O - RING	213	2040400-05160-0	SPRING PIN	418	2040500-02020-0	LOCK NUT
112	11204-1310001-2	DRIVER UNIT	214	11316-1314701-1	TRIGGER	419	2040102-03030-0	HALF ROUND HD.HEX.BOLT
113	2041105-10010-0	O - RING	301	11230-1316601-1	GUN BODY UNIT	420	2040500-03020-0	LOCK NUT
114*	2041108-07090-0	O - RING	302	1132H-0460001-1	GASKET	421	2040102-04030-0	HALF ROUND HD.HEX.BOLT
115	11351-1310001-1	PRESS RING	303	11346-0461305-1	END CAP	422	2040202-04010-0	FLAT WASHER
116	11321-1310001-1	CYLINDER SPACER	304	2041108-07070-0	O - RING	423	2040101-04060-2	HEX.SOC.HD.BOLT
117*	2041108-08010-0	O - RING	305	1135V-0000007-1	AIR PLUG	424	113BF-1310001-1	SPACER RING
118*	2041108-07080-0	O - RING	306	1132L-0010001-1	AIR PLUG CAP	425	11323-1314701-1	POSITIONING SHEET
119	11320-1310001-1	CYLINDER	307	2040100-03020-0	BOLT ASSY	426	2040501-04010-0	BOLT CAP
120	11322-0370001-1	CYLINDER RING	401	1130B-1310001-1	GASKET	427	2040101-02150-0	HEX.SOC.HD.BOLT
121	11360-1310001-1	COMPRESSION SPRING	402	11382-1314701-1	NOSE PIECE	428	2040500-04010-0	LOCK NUT
122	11381-1310001-1	WASHER	403	2040101-05060-2	HEX.SOC.HD.BOLT	XXX	7USAX-3131002-1	O-RING KIT
123*	11327-1314701-1	BUMPER	404	2040111-03030-0	SCREW	XXX	7USAX-3131001-1	REPAIR KIT
125	113BH-1314701-1	SEAL	405	11337-1314701-1	SAFETY SPRING	XXX	7USAX-3131003-1	PLUNGER VALVE ASSEMBLY
201	11376-1310001-1	SPRING	406	11257-1314701-1	SAFETY UNIT	XXX	7USAX-3131004-1	TRIGGER VALVE ASSEMBLY
202	2041108-01130-0	O - RING	407	11396-1314701-1	STEEL CHANNEL	XXX	7USAX-3131005-1	MAGAZINE ASSEMBLY