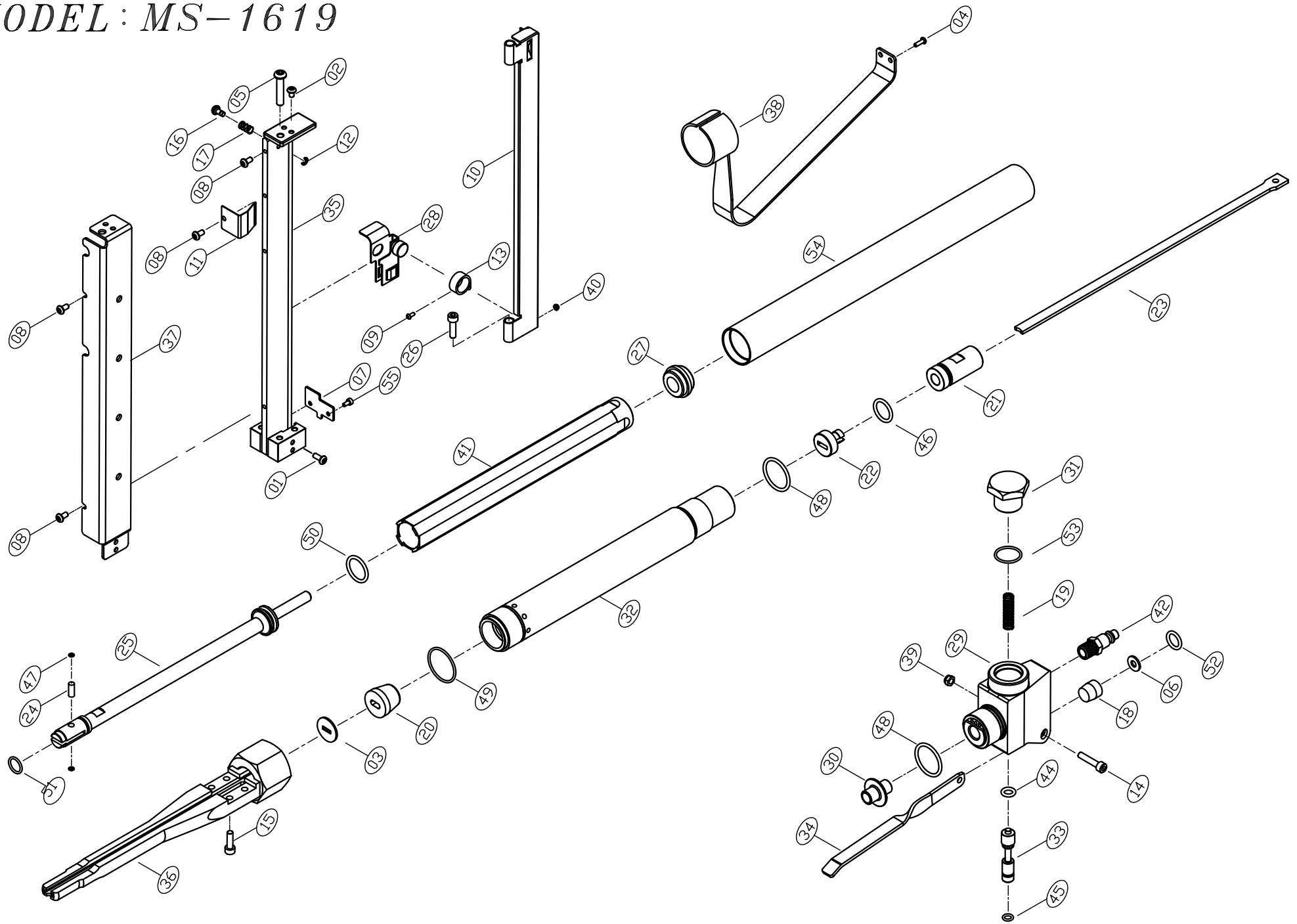


MODEL : MS-1619



PARTS LIST (MS-1619)

*WHEN ORDERING SPARE PARTS, PLEASE STATE ITEM No, PART NO. AND DESCRIPTION.

ITEM	PART NO	DESCRIPTION	QTY	UNIT PRICE	ITEM	PART NO	DESCRIPTION	QTY	UNIT PRICE	ITEM	PART NO	DESCRIPTION	QTY	UNIT PRICE
01	US04070B-10	UM.HD.BOLT	2	0.10	35	90503501	STAPLE RAIL	1	70.59					
02	US04070B-06	UM.HD.BOLT	2	0.10	36	90503601	GUIDE BODY	1	65.72					
03	90500301	DRIVER GUIDE	1	0.21	37	90503701	INNER RAIL	1	7.59					
04	US03050B-10	UM.HD.BOLT	2	0.21	38	90503801	TRIGGER GUARD	1	8.28					
05	US06100B-20	UM.HD.BOLT	1	0.17	39	LN0500N	LOCK NUT	1	0.03					
06	FW06014B-15	FLAT WASHER	1	0.08	40	LN0250N	LOCK NUT	1	0.10					
07	90500701	PLATE	1	0.21	41	90504101	CYLINDER	1	20.07					
08	US04070B-08	UM.HD.BOLT	4	0.10	42	12106401	AIR PLUG	1	0.41					
09	US02045B-06	UM.HD.BOLT	1	0.27	44	OR07626N	O RING	1	0.21					
10	90501001	MAGAZINE COVER	1	2.24	45	OR06018N	O RING**	1	0.10					
11	90501101	COVER HOLDER	1	0.69	46	OR17126M	O RING	1	0.21					
12	ER0300R	E RING	1	0.03	47	OR03010N	O RING**	2	0.10					
13	90501301	FEED SPRING	1	2.24	48	OR26726N	O RING	2	0.21					
14	HS05080B-25	HEX.SOC.HD.BOLT**	1	0.10	49	OR29818N	O RING**	1	0.21					
15	HS05080B-16	HEX.SOC.HD.BOLT	4	0.14	50	OR20226N	O-RING	1	0.21					
16	90501601	FEEDERSHOE LOCK	1	0.83	51	OR12418N	O RING	1	0.21					
17	90501701	LOCK SPRING	1	0.21	52	OR12326N	O RING**	1	0.10					
18	90501801	SILENCER	1	0.83	53	OR20318N	O-RING	1	0.21					
19	90501901	VALVE SPRING	1	0.24	54	90505401	CYLINDER SLEEVE B	1	19.48					
20	90502001	BUMPER	1	1.83	55	HS03050B-06	HEX.SOC.HD.BOLT	2	0.10					
21	90502101	COUPLER	1	3.66										
22	90502201	PISTON	1	1.90										
23	90502301	DRIVER BLADE	1	6.90										
24	90502401	PIN	1	0.21										
25	90502501	PISTON	1	14.24										
26	HS05080B-18	HEX.SOC.HD.BOLT	1	0.14										
27	90502701	SEAL	1	5.48										
28	90502801	FEEDERSHOE ASM	1	3.79										
29	90502901	VALVE BODY	1	60.79										
30	90503001	FLOW DIVERTOR	1	3.03										
31	90503101	VALVE CAP	1	7.76										
32	90503201	CYLINDER SLEEVE A	1	42.59										
33	90503301	VALVE	1	1.86										
34	90503401	TRIGGER	1	1.07										