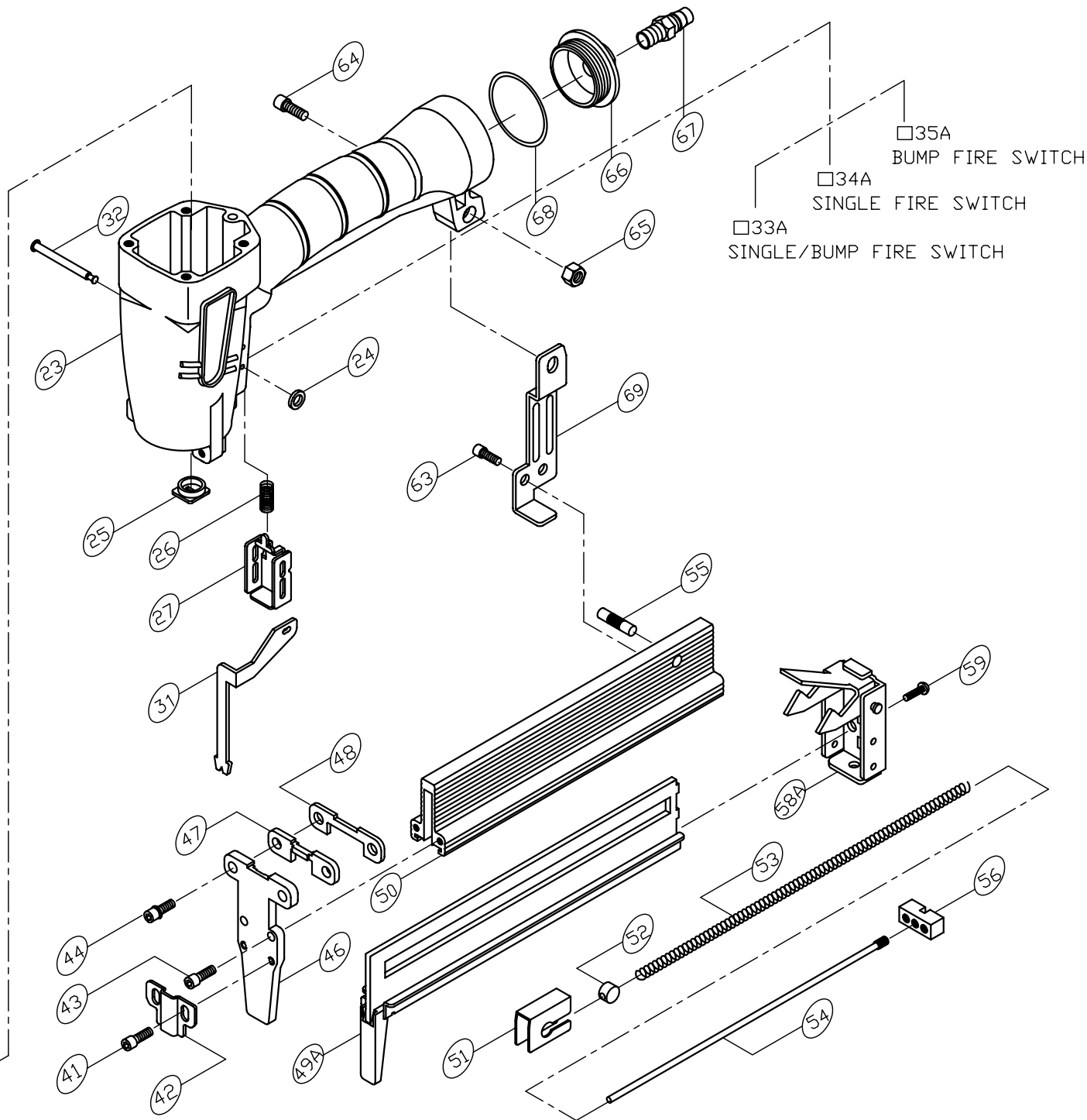
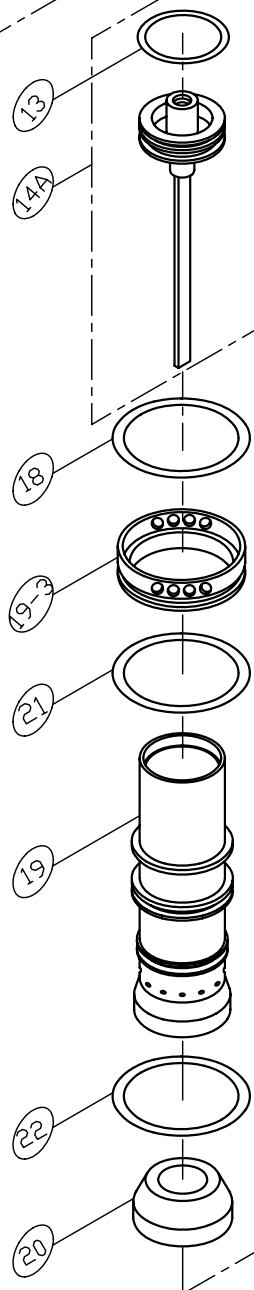
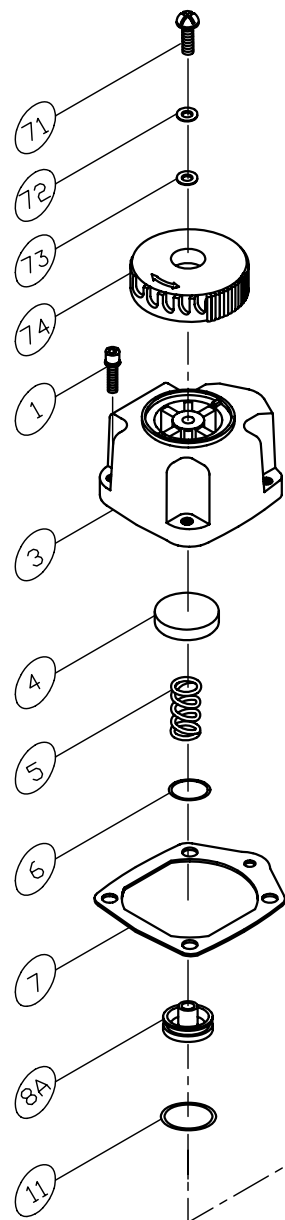


# MODEL : LU-G32HAC



- 33A SINGLE/BUMP FIRE SWITCH
- 34A SINGLE FIRE SWITCH
- 35A BUMP FIRE SWITCH

## PARTS LIST (LU-G32HAC)

\*WHEN ORDERING SPARE PARTS, PLEASE STATE ITEM No, PART NO. AND DESCRIPTION.

ITEM	PART NO	DESCRIPTION	QTY	ITEM	PART NO	DESCRIPTION	QTY	ITEM	PART NO	DESCRIPTION	QTY
01	HS05080BW-20	HEX. SOC. HD. BOLT+SW	4	53	11305301	SPRING**	1				
03	13900306	CAP	1	54	11305401	ROD	1				
04	12100401	SEAL**	1	55	11305501	SHAFT	1				
05	12100501	SPRING**	1	56	11305601	SET BLOCK	1				
06	OR13824N	O RING**	1	58A	12205801A	END CORE ASM.	1				
07	11100702	CAP SEAL**	1	59	US05080B-10	UM. HD. BOLT	2				
08A	13900801A	HEAD VALVE ASM.	1	63	HS04070B-08	HEX. SOC. HD. BOLT	2				
11	OR31824N	O RING**	1	64	HS05080B-16	HEX. SOC. HD. BOLT	1				
13	OR25735N	O RING**	1	65	LN0500N	LOCK NUT	1				
14A	18301401A	DRIVER ASSEMBLY**	1	66	11106601	COVER	1				
18	OR44431N	O RING**	1	67	12106401	AIR PLUG	1				
19	13301901	CYLINDER	1	68	OR40030N	O RING**	1				
19-3	13901903	COLLAR	1	69	11306902	BRACKET	1				
20	13902001	BUMPER**	1	71	US05080B-06	UM. HD. BOLT	1				
21	OR35020N	O RING**	1	72	FW050120B-10	FLAT WASHER	1				
22	OR35735N	O RING**	1	73	12103301	SEAL	1				
23	11102309	BODY	1	74	13907403	EXHAUST COVER	1				
24	OR01919N	O RING**	2								
25	17102501	JOINT GUIDE	1								
26	11002601	SPRING	1								
27	11002702	GUIDE SAFETY LEVER	1								
31	13403402	SAFETY LEVER	1								
32	11103201	STEPPED PIN	2								
41	HS04070B-06	HEX. SOC. HD. BOLT	2								
42	13404201	NOSE COVER	1								
43	HS04070B-12	HEX. SOC. HD. BOLT	2								
44	HS05080BW-25	HEX. SOC. HD. BOLT+SW	2								
46	17004601	NOSE	1								
47	12204701	SET PLATE	1								
48	12504801	SET PLATE	1								
49A	17004901A	STAPLE GUIDE UNIT	1								
50	17005001	MAGAZINE	1								
51	12005101	PUSHER	1								
52	14305201	SLIDE BLOCK	1								