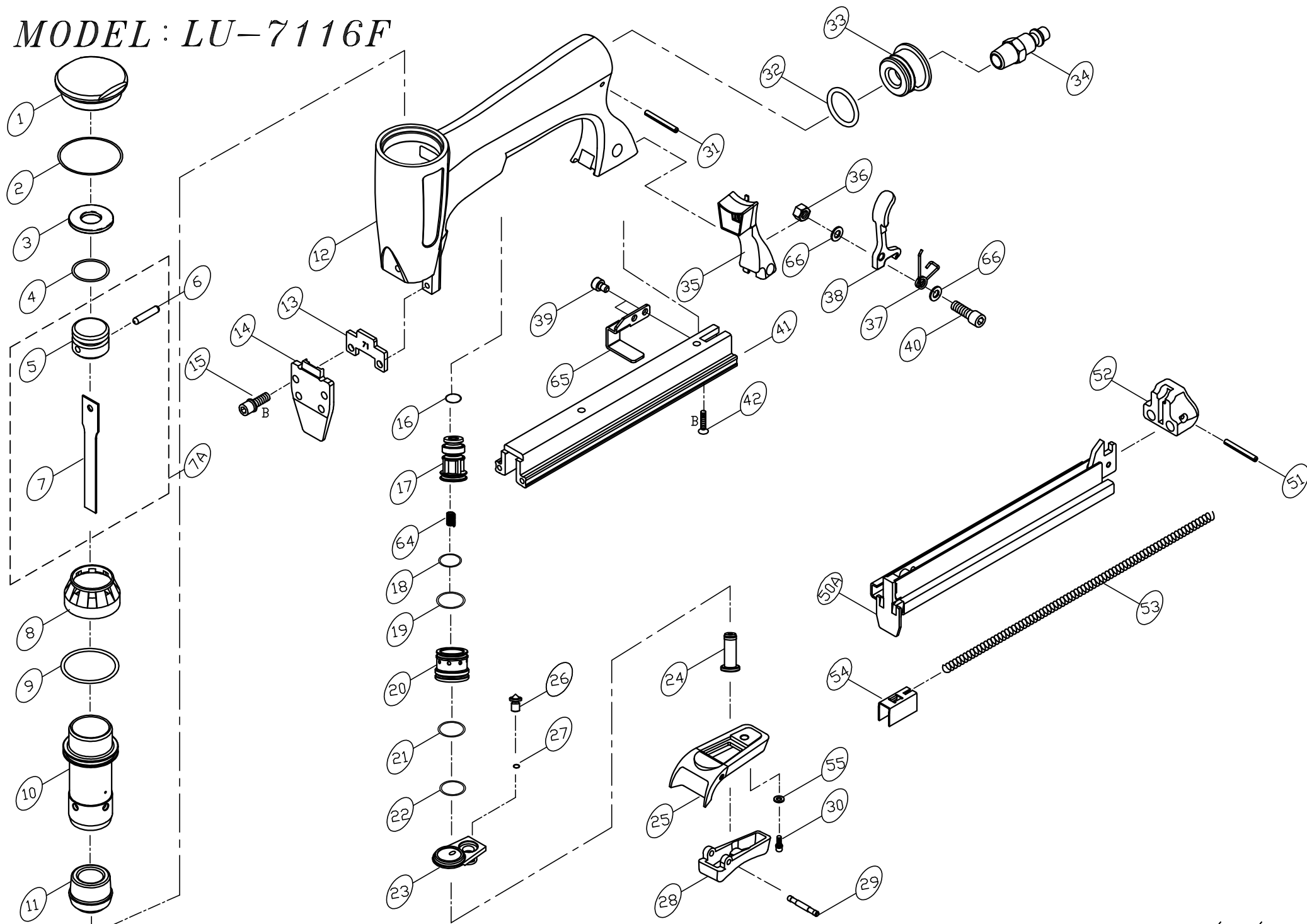


MODEL : LU-7116F



*B : APPLY LOCTITE 242

L31700 05/17/2010

PARTS LIST (LU-7116F)

***WHEN ORDERING SPARE PARTS, PLEASE STATE ITEM No, PART NO. AND DESCRIPTION.**

| ITEM | PART NO | DESCRIPTION | QTY | ITEM | PART NO | DESCRIPTION | QTY | ITEM | PART NO | DESCRIPTION | QTY |
|------|-------------|--------------------|-----|------|--------------|-----------------------|-----|------|---------|-------------|-----|
| 01 | 31600101 | CAP | 1 | 34 | 12106401 | AIR PLUG | 1 | | | | |
| 02 | OR33026N | O RING | 1 | 35 | 31603501 | EXHAUST COVER | 1 | | | | |
| 03 | 31600301 | PISTON STOPPER | 1 | 36 | LN0400N | LOCK NUT | 1 | | | | |
| 04 | OR17126M | O RING | 1 | 37 | 31603701 | TOR SPRING | 1 | | | | |
| 05 | 31600501 | PISTON | 1 | 38 | 33403801 | LATCH | 1 | | | | |
| 06 | BP0418P | BALL PIN | 1 | 39 | HS04070B-05 | HEX. SOC. HD. BOLT | 2 | | | | |
| 07 | 31700701 | DRIVER | 1 | 40 | HS04070B-25 | HEX. SOC. HD. BOLT | 1 | | | | |
| 07A | 31700701A | DRIVER ASSEMBLY | 1 | 41 | 31704102 | MAGAZINE | 1 | | | | |
| 08 | 31600801 | COLLAR | 1 | 42 | FH04070B-10 | FLAT. HD. BOLT | 1 | | | | |
| 09 | OR26726N | O RING | 1 | 50A | 31705001A | STAPLE GUIDE ASSEMBLY | 1 | | | | |
| 10 | 31601001 | CYLINDER | 1 | 51 | RP2524S | ROLLED PIN | 1 | | | | |
| 11 | 31601101 | BUMPER | 1 | 52 | 31605201 | PU COVER | 1 | | | | |
| 12 | 31601201 | BODY | 1 | 53 | 31705301 | SPRING | 1 | | | | |
| 13 | 31701301 | SET PLATE | 1 | 54 | 31705401 | PUSHER | 1 | | | | |
| 14 | 31701401 | NOSE | 1 | 55 | FW040100B-08 | FLAT WASHER | 1 | | | | |
| 15 | HS04070B-16 | HEX. SOC. HD. BOLT | 4 | 64 | 31602201 | SPRING | 1 | | | | |
| 16 | OR07626N | O RING | 2 | 65 | 31705501 | VALVE PLATE | 1 | | | | |
| 17 | 31601701 | VALVE PLUNGER | 1 | 66 | FW040080B-08 | FLAT WASHER | 2 | | | | |
| 18 | OR12418N | O RING | 1 | | | | | | | | |
| 19 | OR15618N | O RING** | 1 | | | | | | | | |
| 20 | 31602001 | VALVE CYLINDER | 1 | | | | | | | | |
| 21 | OR17313N | O RING | 1 | | | | | | | | |
| 22 | OR17218N | O RING | 1 | | | | | | | | |
| 23 | 31602301 | PLUNGER COVER | 1 | | | | | | | | |
| 24 | 31602401 | CONNECTING TUBE | 1 | | | | | | | | |
| 25 | 31602501 | TRIGGER BASE | 1 | | | | | | | | |
| 26 | 31602601 | TRIGGER VALVE STEM | 1 | | | | | | | | |
| 27 | OR02518N | O RING | 1 | | | | | | | | |
| 28 | 31602801 | TRIGGER | 1 | | | | | | | | |
| 29 | 31602901 | PIN | 1 | | | | | | | | |
| 30 | HS04070B-10 | HEX. SOC. HD. BOLT | 1 | | | | | | | | |
| 31 | RP3025S | ROLLED PIN | 1 | | | | | | | | |
| 32 | OR20326N | O RING | 1 | | | | | | | | |
| 33 | 31603301 | END CAP | 1 | | | | | | | | |