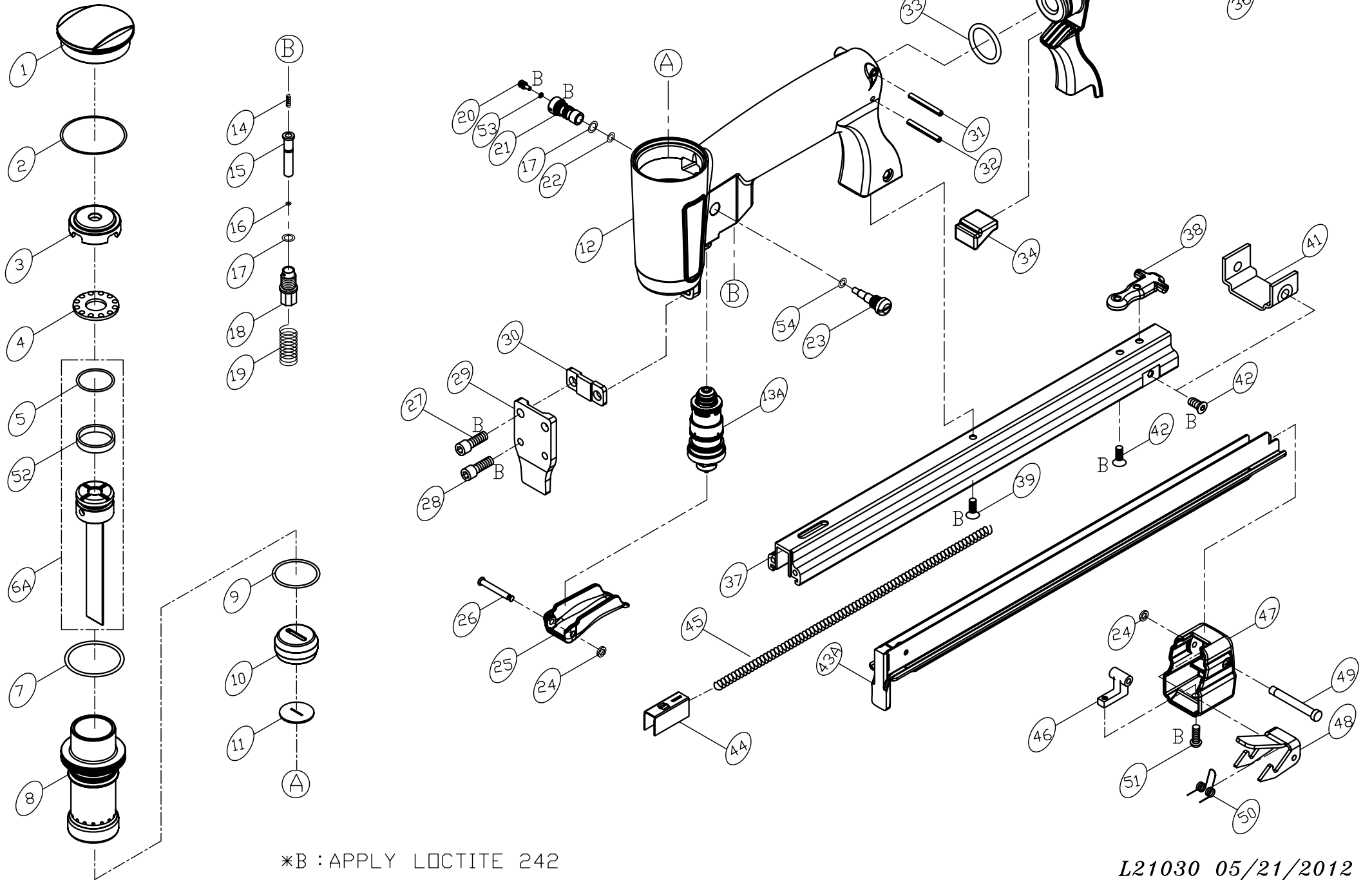


# MODEL : LU-7116AUTO/LM



\*B : APPLY LOCTITE 242

**PARTS LIST (LU-7116AUTO/LM)**

**\*WHEN ORDERING SPARE PARTS, PLEASE STATE ITEM No, PART NO. AND DESCRIPTION.**

ITEM	PART NO	DESCRIPTION	QTY	ITEM	PART NO	DESCRIPTION	QTY	ITEM	PART NO	DESCRIPTION	QTY
01	19000101	CAP	1	35	22203202	END CAP	1				
02	OR33026N	O RING	1	36	12106401	AIR PLUG	1				
03	20707301	STOPPER BASE	1	37	21003802	MAGAZINE	1				
04	31600301	PISTON STOPPER	1	38	39101001	SET BLOCK	1				
05	OR17126M	O RING	1	39	FH04070B-12	FLAT. HD. BOLT	1				
06A	21000802A	PISTON ASSEMBLY	1	41	10205301	SET PLATE	1				
07	OR33720N	O RING**	1	42	FH04070B-07	FLAT. HD. BOLT	4				
08	22200501	CYLINDER	1	43A	32405001A	STAPLE GUIDE UNIT	1				
09	OR25020N	O RING	1	44	10604802	PUSHER	1				
10	22201901	BUMPER	1	45	32504601	SPRING	1				
11	21007701	WASHER	1	46	19004801	SET PLATE	1				
12	22202904	BODY	1	47	39100901	END CORE	1				
13A	20701002A	SWITCH ASSEMBLY	1	48	11606101	STOPPER	1				
14	16309101	SPRING	1	49	11103201	STEPPED PIN	1				
15	20706401	PLUNGER	1	50	11306001	TOR. SPRING	1				
16	OR02510N	O RING**	1	51	US04070B-10	UM. HD. BOLT	2				
17	OR06010M	O RING**	2	52	31605701	CYLINDER SEAL	1				
18	20706501	PLUNGER CAP	1	53	OR03510N	O RING**	1				
19	20706601	SPRING	1	54	OR04515N	O RING**	1				
20	22206702	PILOT VALVE	1								
21	20706702	SLEEVE	1								
22	OR05010N	O RING**	1								
23	20706902	PILOT	1								
24	OR01919N	O RING**	2								
25	22202602	TRIGGER	1								
26	18602701	SHAFT	1								
27	HS05080B-18	HEX. SOC. HD. BOLT	2								
28	HS04070B-16	HEX. SOC. HD. BOLT	2								
29	21003601	NOSE	1								
30	10703801	SET PLATE	1								
31	RP3028S	ROLLED PIN	1								
32	RP3025S	ROLLED PIN	1								
33	OR20326N	O RING	1								
34	22203302	MUFFLER	1								