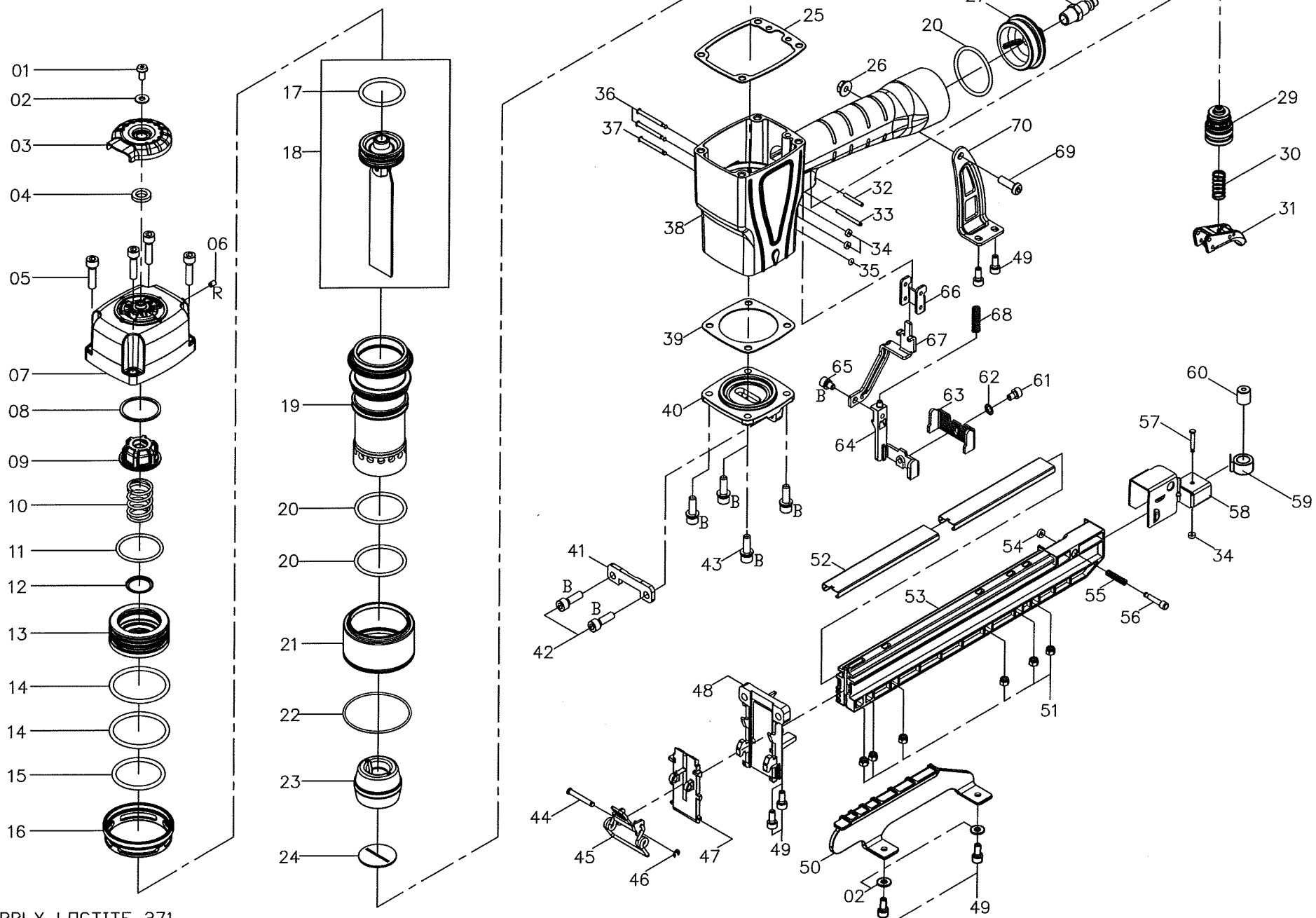


MODEL: LU-2638.1



*R : APPLY LOCTITE 271
 *B : APPLY LOCTITE 242

PARTS LIST

(LU-2638.1)

*WHEN ORDERING SPARE PARTS, PLEASE STATE ITEM No, PART NO. AND DESCRIPTION.

| ITEM | PART NO | DESCRIPTION | QTY | ITEM | PART NO | DESCRIPTION | QTY | ITEM | PART NO | DESCRIPTION | QTY |
|------|--------------|-------------------------|-----|------|--------------|------------------------|-----|------|-------------|-------------|-----|
| 01 | US05080L-10 | UM.HD.BOLT | 1 | 35 | OR01919N | O RING** | 1 | 69 | US06100B-25 | UM.HD.BOLT | 1 |
| 02 | FW050120B-10 | FLAT WASHER | 3 | 36 | 16102902 | STEPPED PIN | 2 | 70 | 47000901 | BRACKET | 1 |
| 03 | 41001001 | EXHAUST COVER, METAL | 1 | 37 | 11103201 | STEPPED PIN | 1 | | | | |
| 04 | 15300401 | PU RING | 1 | 38 | 41000502 | BODY | 1 | | | | |
| 05 | HS06100L-25 | HEX.SOC.HD.BOLT | 4 | 39 | 34904002 | GASKET** | 1 | | | | |
| 06 | SS04070B-06 | SET SCREW | 1 | 40 | 47000501 | BOTTOM | 1 | | | | |
| 07 | 41000101 | CAP | 1 | 41 | 30505401 | SET PLATE | 1 | | | | |
| 08 | 38301001 | SPACER | 1 | 42 | HS06100B-20 | HEX.SOC.HD.BOLT | 2 | | | | |
| 09 | 38300501 | PISTON STOPPER | 1 | 43 | HS06100BW-20 | HEX.SOC.HD.BOLT+SW | 4 | | | | |
| 10 | 38300301 | COMPRESSION SPRING | 1 | 44 | 30504801 | STEPPED PIN | 1 | | | | |
| 11 | OR36226N | O RING** | 1 | 45 | 30505001A | LATCH | 1 | | | | |
| 12 | 41000201 | SPACER | 1 | 46 | ER0300R | E RING | 1 | | | | |
| 13 | 38300402 | PISTON HEAD VALVE | 1 | 47 | 30505103 | DRIVER GUIDE COVER | 1 | | | | |
| 14 | OR46035N | O RING** | 2 | 48 | 30505203 | NOSE | 1 | | | | |
| 15 | OR39735N | O RING** | 1 | 49 | HS05080B-12 | HEX.SOC.HD.BOLT | 6 | | | | |
| 16 | 38300601 | COLLAR | 1 | 50 | 47000701 | COVER | 1 | | | | |
| 17 | OR33735N1 | O RING** | 1 | 51 | LN0500N | LOCK NUT | 6 | | | | |
| 18 | 47000201A | PISTON ASSEMBLY | 1 | 52 | 47001001 | SLIDE PLATE | 2 | | | | |
| 19 | 47000101 | CYLINDER | 1 | 53 | 47000801 | MAGAZINE | 1 | | | | |
| 20 | OR40030N | O RING** | 3 | 54 | 23306401 | RUBBER WASHER** | 1 | | | | |
| 21 | 41002401 | CYLINDER RING | 1 | 55 | 25003201 | SPRING | 1 | | | | |
| 22 | OR56718N | O RING** | 1 | 56 | 27706401 | STOPPER | 1 | | | | |
| 23 | 47000401 | BUMPER | 1 | 57 | 12105802 | SHAFT | 1 | | | | |
| 24 | 30502301 | WASHER | 1 | 58 | 30506101 | PUSHER | 1 | | | | |
| 25 | 34903901 | CYLINDER CAP SEAL | 1 | 59 | 41002701 | SPRING | 1 | | | | |
| 26 | LN0600NB | LOCK NUT | 1 | 60 | 15308601 | ROLLER | 1 | | | | |
| 27 | 11106601 | COVER | 1 | 61 | HS05080L-08 | HEX.SOC.HD.BOLT | 1 | | | | |
| 28 | 12106401 | AIR PLUG | 1 | 62 | 25209401 | STAR WASHER | 1 | | | | |
| 29 | 23303802A | TRIGGER VALVE ASSEMBLY^ | 1 | 63 | 30509201 | SAFETY ADJUSTING LEVER | 1 | | | | |
| 30 | 16305401 | SPRING | 1 | 64 | 30503401 | SAFETY LEVER | 1 | | | | |
| 31 | 34903502A | BUMP FIRE TRIGGER | 1 | 65 | HS05080BW-08 | HEX.SOC.HD.BOLT+SW | 1 | | | | |
| 32 | RP3022S | ROLLED PIN | 1 | 66 | 25203201 | GUIDE SAFETY LEVER | 1 | | | | |
| 33 | RP3030S | ROLLED PIN | 1 | 67 | 47000601 | UPPER SAFETY LEVER | 1 | | | | |
| 34 | 16103001 | PU RING** | 3 | 68 | 30503301 | SPRING | 1 | | | | |