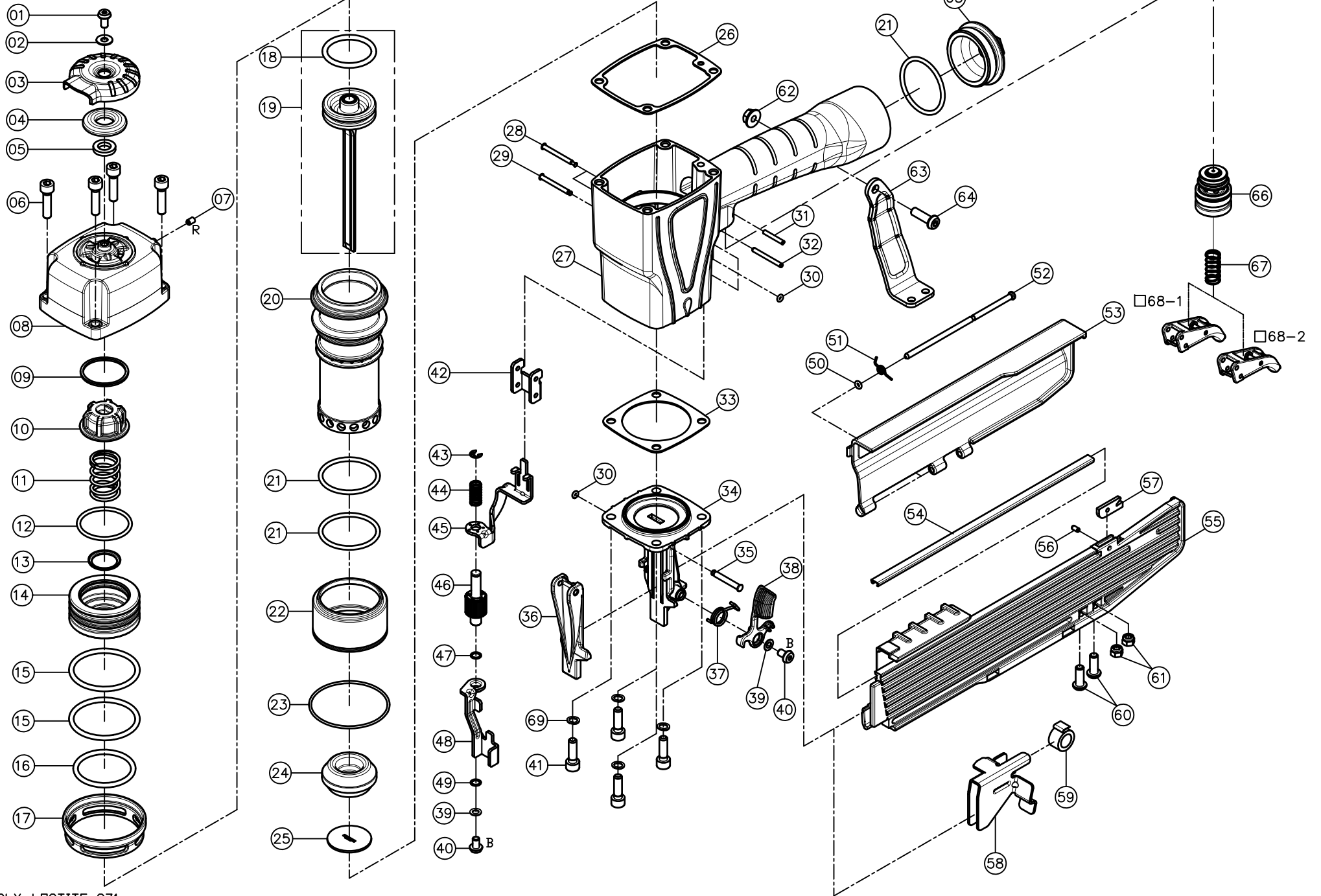


MODEL : LU-216LC1



*R : APPLY LOCTITE 271
 *B : APPLY LOCTITE 242

PARTS LIST (LU-216LC1)

*WHEN ORDERING SPARE PARTS, PLEASE STATE ITEM No, PART NO. AND DESCRIPTION.

ITEM	PART NO	DESCRIPTION	QTY	ITEM	PART NO	DESCRIPTION	QTY	ITEM	PART NO	DESCRIPTION	QTY
01	US05080L-10	UM.HD.BOLT	1	35	15305301	STEPPED PIN	1	68-2	34903502A	BUMP FIRE TRIGGER	1
02	FW050120B-10	FLAT WASHER	1	36	41000701	NOSE COVER, QUICK RELEASE	1	69	SW0600W	SPRING WASHER	4
03	41001001	EXHAUST COVER, METAL	1	37	41001401	LATCH SPRING	1				
04	41002301	MUFFLER	1	38	41001301	LATCH	1				
05	15300401	PU RING	1	39	FW050100B-05	FLAT WASHER	2				
06	HS06100L-25	HEX.SOC.HD.BOLT	4	40	US05080B-08	UM.HD.BOLT	2				
07	SS04070B-06	SET SCREW	1	41	HS06100B-20	HEX.SOC.HD.BOLT	4				
08	41000101	CAP	1	42	25203201	GUIDE SAFETY LEVER	1				
09	38301001	SPACER	1	43	ER0400R	E RING	1				
10	38300501	PISTON STOPPER	1	44	41001201	COMPRESSION SPRING	1				
11	38300301	COMPRESSION SPRING	1	45	41000801	UPPER SAFETY LEVER	1				
12	OR36226N	O RING**	1	46	41000901	SAFETY LEVER ROLLER WHEEL	1				
13	41000201	SPACER	1	47	OR06010M	O RING**	1				
14	38300401	PISTON HEAD VALVE	1	48	41001101	SAFETY LEVER	1				
15	OR46035N	O RING**	2	49	OR05010N	O RING**	1				
16	OR39735N	O RING**	1	50	OR02519N	O RING	1				
17	38300601	COLLAR	1	51	34902501	SPRING	1				
18	OR33037N	O RING**	1	52	34903301	STEP PIN	1				
19	41000401A	DRIVER ASSEMBLY	1	53	41001601	MAGAZINE COVER	1				
20	41000301	CYLINDER	1	54	34902701	SLIDE PLATE	1				
21	OR40030N	O RING**	3	55	41001501	MAGAZINE	1				
22	41002401	CYLINDER RING	1	56	RP3006S	ROLLED PIN	1				
23	OR56718N	O RING**	1	57	41001801	STOPPER	1				
24	41002001	BUMPER	1	58	41001701	PUSHER	1				
25	41002102	WASHER	1	59	40702901	SPRING	1				
26	34903901	CYLINDER CAP SEAL	1	60	US05080B-16	UM.HD.BOLT	2				
27	41000502	BODY	1	61	LN0500N	LOCK NUT	2				
28	16102902	STEPPED PIN	2	62	LN0600NB	LOCK NUT	1				
29	11103201	STEPPED PIN	1	63	41001901	BRACKET	1				
30	OR01919N	O RING**	4	64	US06100B-20	UM.HD.BOLT	1				
31	RP3022S	ROLLED PIN	1	65	11106602	COVER**	1				
32	RP3030S	ROLLED PIN	1	66	23303804A	TRIGGER VALVE ASSEMBLY^	1				
33	34904002	GASKET**	1	67	16305401	SPRING	1				
34	41000601	NOSE, QUICK RELEASE	1	68-1	34903501A	SEQUENTIAL FIRE TRIGGER	1				