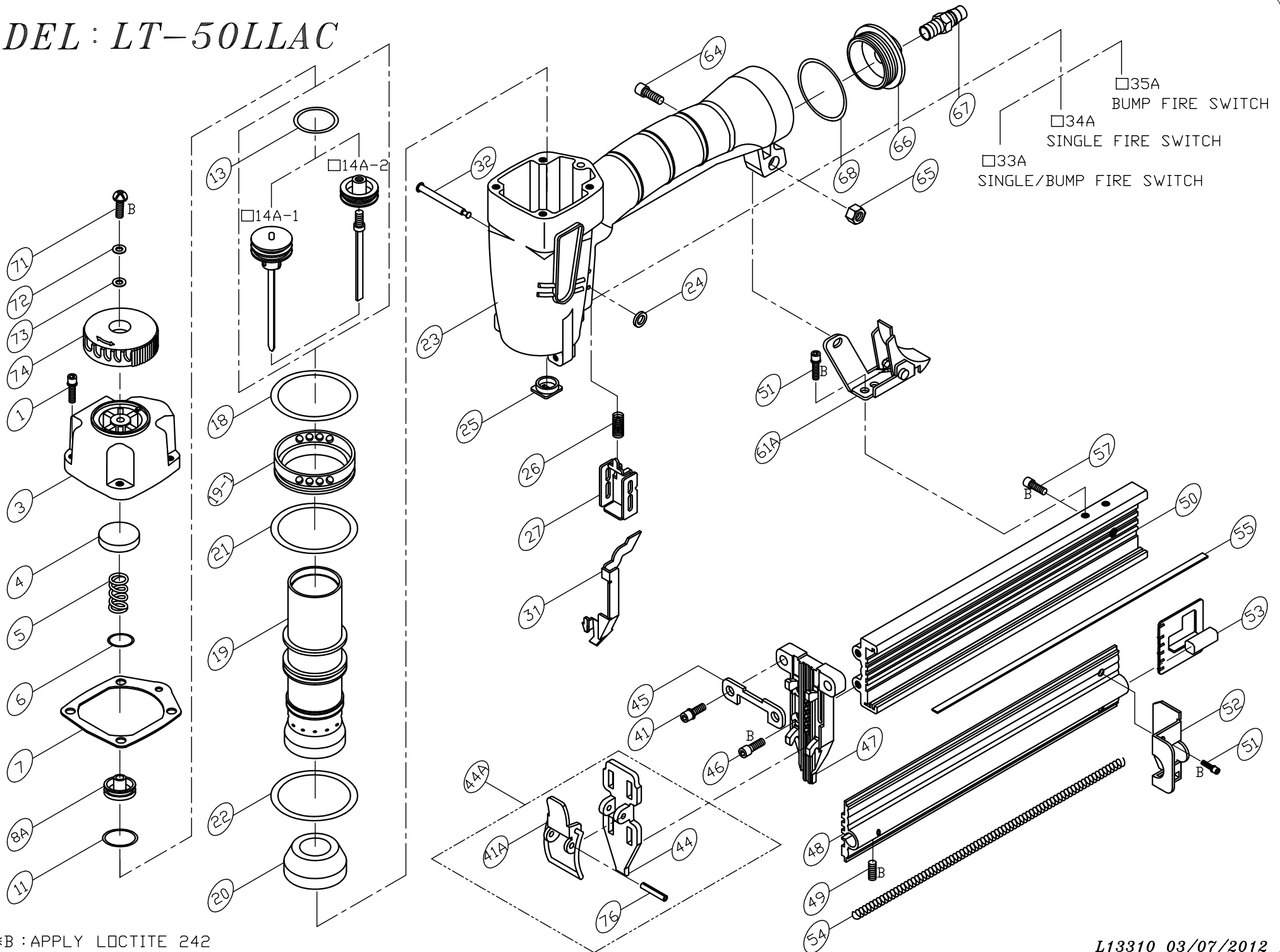


MODEL : LT-50LLAC



*B : APPLY LOCTITE 242

L13310 03/07/2012

PARTS LIST (LT-50LLAC)

*WHEN ORDERING SPARE PARTS, PLEASE STATE ITEM No, PART NO. AND DESCRIPTION.

ITEM	PART NO	DESCRIPTION	QTY	ITEM	PART NO	DESCRIPTION	QTY	ITEM	PART NO	DESCRIPTION	QTY
01	HS05080BW-20	HEX. SOC. HD. BOLT+SW	4	51	HS04070BW-08	HEX. SOC. HD. BOLT+SW	4				
03	13900306	CAP	1	52	13105201	TAIL COVER	1				
04	12100401	SEAL**	1	53	13705301	PUSHER	1				
05	12100501	SPRING**	1	54	12105401	SPRING**	1				
06	OR13824N	O RING**	1	55	13606001	NAIL GUIDE LINER	1				
07	11100702	CAP SEAL**	1	57	HS05080B-07	HEX. SOC. HD. BOLT	1				
08A	13900801A	HEAD VALVE ASM.	1	61A	13906102A	BRACKET ASSEMBLY	1				
11	OR31824N	O RING**	1	64	HS05080B-16	HEX. SOC. HD. BOLT	1				
13	OR25735N	O RING**	1	65	LN0500N	LOCK NUT	1				
14A-1	13301401A	DRIVER ASSEMBLY**	1	66	11106601	COVER	1				
14A-2	13301402A	DRIVER ASSEMBLY**	1	67	12106401	AIR PLUG	1				
18	OR44431N	O RING**	1	68	OR40030N	O RING**	1				
19	13301901	CYLINDER	1	71	US05080B-06	UM. HD. BOLT	1				
19-1	13901903	COLLAR	1	72	FW050120B-10	FLAT WASHER	1				
20	13902001	BUMPER**	1	73	12103301	SEAL	1				
21	OR35020N	O RING**	1	74	13907403	EXHAUST COVER	1				
22	OR35735N	O RING**	1	76	RP3020S	ROLLED PIN	1				
23	11102309	BODY	1								
24	OR01919N	O RING**	2								
25	13702501	JOINT GUIDE	1								
26	11002601	SPRING	1								
27	11002702	GUIDE SAFETY LEVER	1								
31	13203101	SAFETY LEVER	1								
32	11103201	STEPPED PIN	2								
41	HS05080BW-25	HEX. SOC. HD. BOLT+SW	2								
41A	13104101A	LATCH**	1								
44	13104401	DRIVER GUIDE COVER	1								
44A	13104401A	DRIVER GUIDE COVER ASM	1								
45	12104501	SET PLATE	1								
46	HS04070B-12	HEX. SOC. HD. BOLT	2								
47	13704701	DRIVER GUIDE	1								
48	13605201	MAGAZINE COVER	1								
49	SS04070B-12	SET SCREW	1								
50	13705003	MAGAZINE	1								