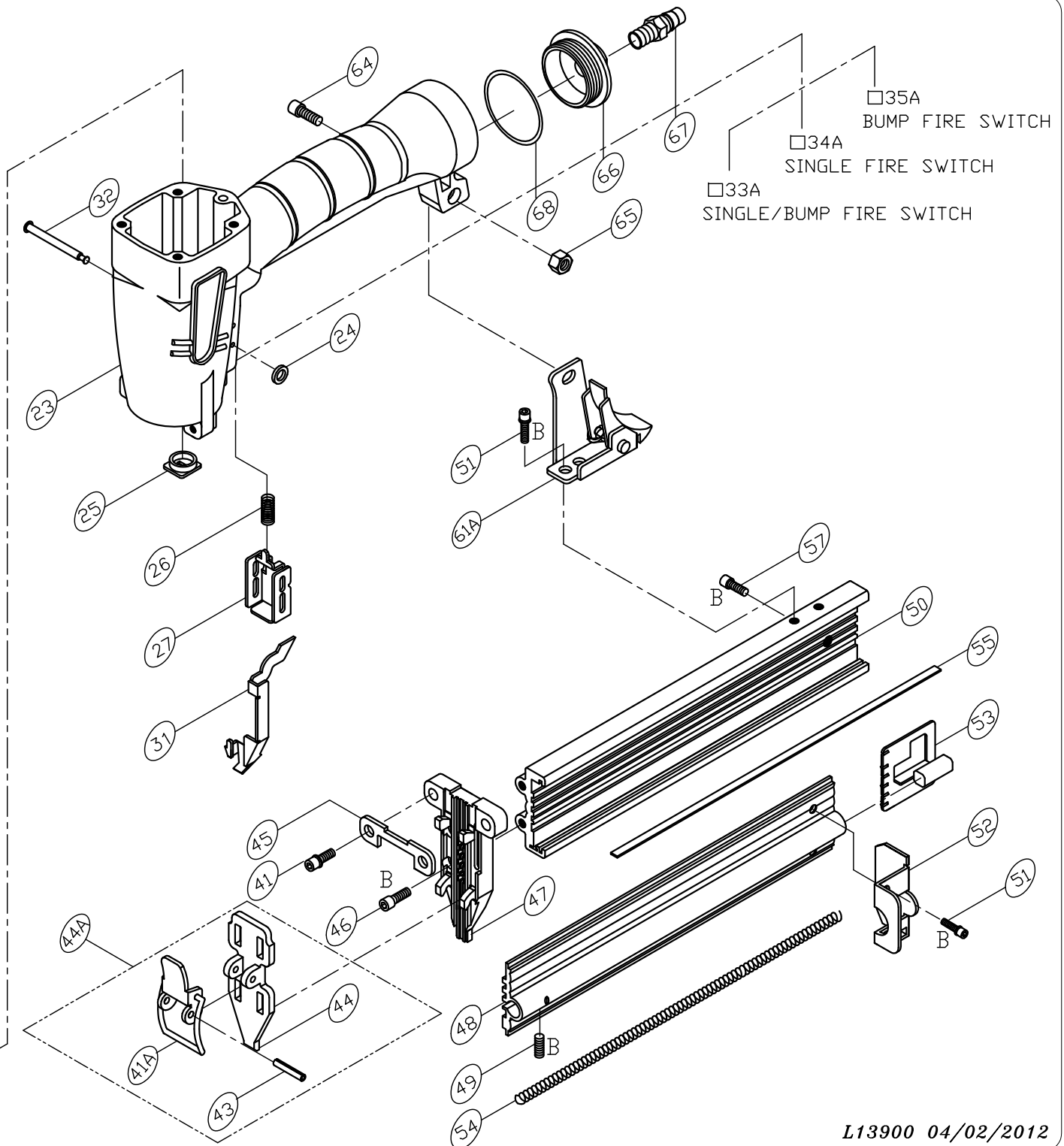
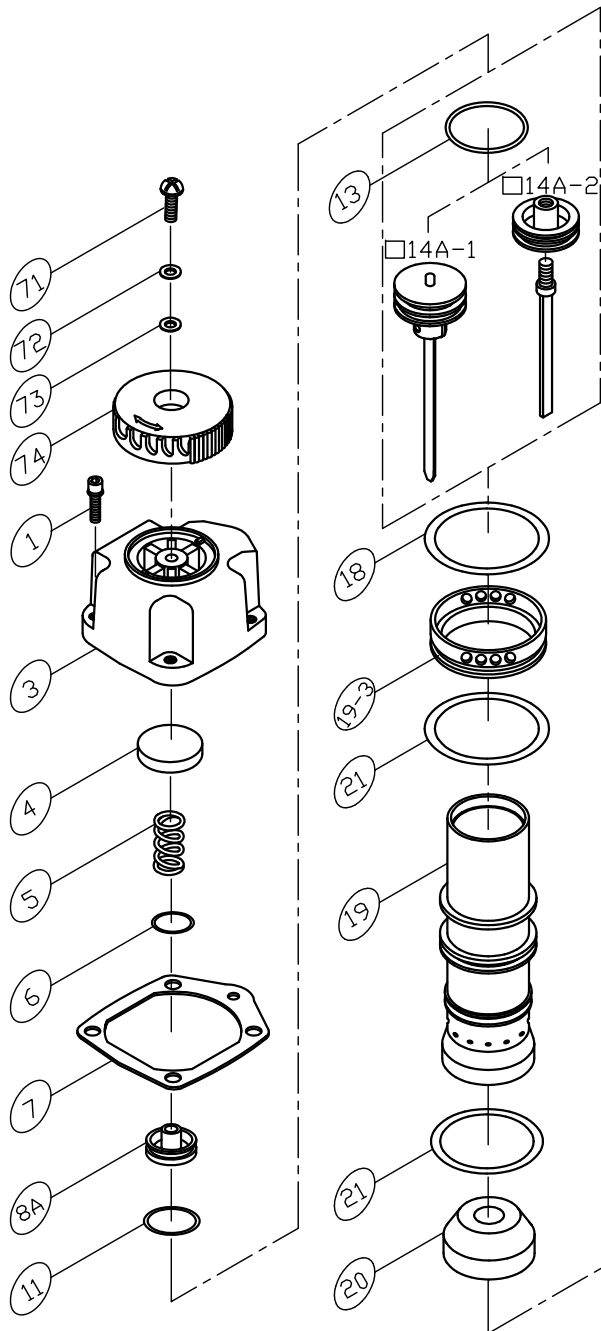


MODEL : LNF-50AC



- 35A BUMP FIRE SWITCH
- 34A SINGLE FIRE SWITCH
- 33A SINGLE/BUMP FIRE SWITCH

*B : APPLY LOCTITE 242

L13900 04/02/2012

PARTS LIST (LNF-50AC)

*WHEN ORDERING SPARE PARTS, PLEASE STATE ITEM No, PART NO. AND DESCRIPTION.

| ITEM | PART NO | DESCRIPTION | QTY | ITEM | PART NO | DESCRIPTION | QTY | ITEM | PART NO | DESCRIPTION | QTY |
|-------|--------------|------------------------|-----|------|--------------|-----------------------|-----|------|---------|-------------|-----|
| 01 | HS05080BW-20 | HEX. SOC. HD. BOLT+SW | 4 | 51 | HS04070BW-08 | HEX. SOC. HD. BOLT+SW | 4 | | | | |
| 03 | 13900306 | CAP | 1 | 52 | 13105201 | TAIL COVER | 1 | | | | |
| 04 | 12100401 | SEAL** | 1 | 53 | 13105301 | PUSHER | 1 | | | | |
| 05 | 12100501 | SPRING** | 1 | 54 | 12105401 | SPRING** | 1 | | | | |
| 06 | OR13824N | O RING** | 1 | 55 | 12105501 | NAIL GUIDE LINER | 1 | | | | |
| 07 | 11100702 | CAP SEAL** | 1 | 57 | HS05080B-07 | HEX. SOC. HD. BOLT | 1 | | | | |
| 08A | 13900801A | HEAD VALVE ASM. | 1 | 61A | 13206101A | BRACKET ASSEMBLY | 1 | | | | |
| 11 | OR31824N | O RING** | 1 | 64 | HS05080B-16 | HEX. SOC. HD. BOLT | 1 | | | | |
| 13 | OR23735N | O RING** | 1 | 65 | LN0500N | LOCK NUT | 1 | | | | |
| 14A-1 | 13901401A | DRIVER ASSEMBLY** | 1 | 66 | 11106601 | COVER | 1 | | | | |
| 14A-2 | 13901402A | DRIVER ASSEMBLY** | 1 | 67 | 12106401 | AIR PLUG | 1 | | | | |
| 18 | OR44431N | O RING** | 1 | 68 | OR40030N | O RING** | 1 | | | | |
| 19 | 13901902 | CYLINDER | 1 | 71 | US05080B-06 | UM. HD. BOLT | 1 | | | | |
| 19-3 | 13901903 | COLLAR | 1 | 72 | FW050120B-10 | FLAT WASHER | 1 | | | | |
| 20 | 13902001 | BUMPER** | 1 | 73 | 12103301 | SEAL | 1 | | | | |
| 21 | OR35020N | O RING** | 2 | 74 | 13907403 | EXHAUST COVER | 1 | | | | |
| 23 | 11102309 | BODY | 1 | | | | | | | | |
| 24 | OR01919N | O RING** | 2 | | | | | | | | |
| 25 | 10902501 | JOINT GUIDE | 1 | | | | | | | | |
| 26 | 11002601 | SPRING | 1 | | | | | | | | |
| 27 | 11002702 | GUIDE SAFETY LEVER | 1 | | | | | | | | |
| 31 | 13203101 | SAFETY LEVER | 1 | | | | | | | | |
| 32 | 11103201 | STEPPED PIN | 2 | | | | | | | | |
| 41 | HS05080BW-25 | HEX. SOC. HD. BOLT+SW | 2 | | | | | | | | |
| 41A | 13104101A | LATCH** | 1 | | | | | | | | |
| 43 | RP3020S | ROLLED PIN | 1 | | | | | | | | |
| 44 | 13104401 | DRIVER GUIDE COVER | 1 | | | | | | | | |
| 44A | 13104401A | DRIVER GUIDE COVER ASM | 1 | | | | | | | | |
| 45 | 12104501 | SET PLATE | 1 | | | | | | | | |
| 46 | HS04070B-12 | HEX. SOC. HD. BOLT | 2 | | | | | | | | |
| 47 | 13104701 | DRIVER GUIDE | 1 | | | | | | | | |
| 48 | 13104801 | MAGAZINE COVER | 1 | | | | | | | | |
| 49 | SS04070B-12 | SET SCREW | 1 | | | | | | | | |
| 50 | 13105001 | MAGAZINE | 1 | | | | | | | | |