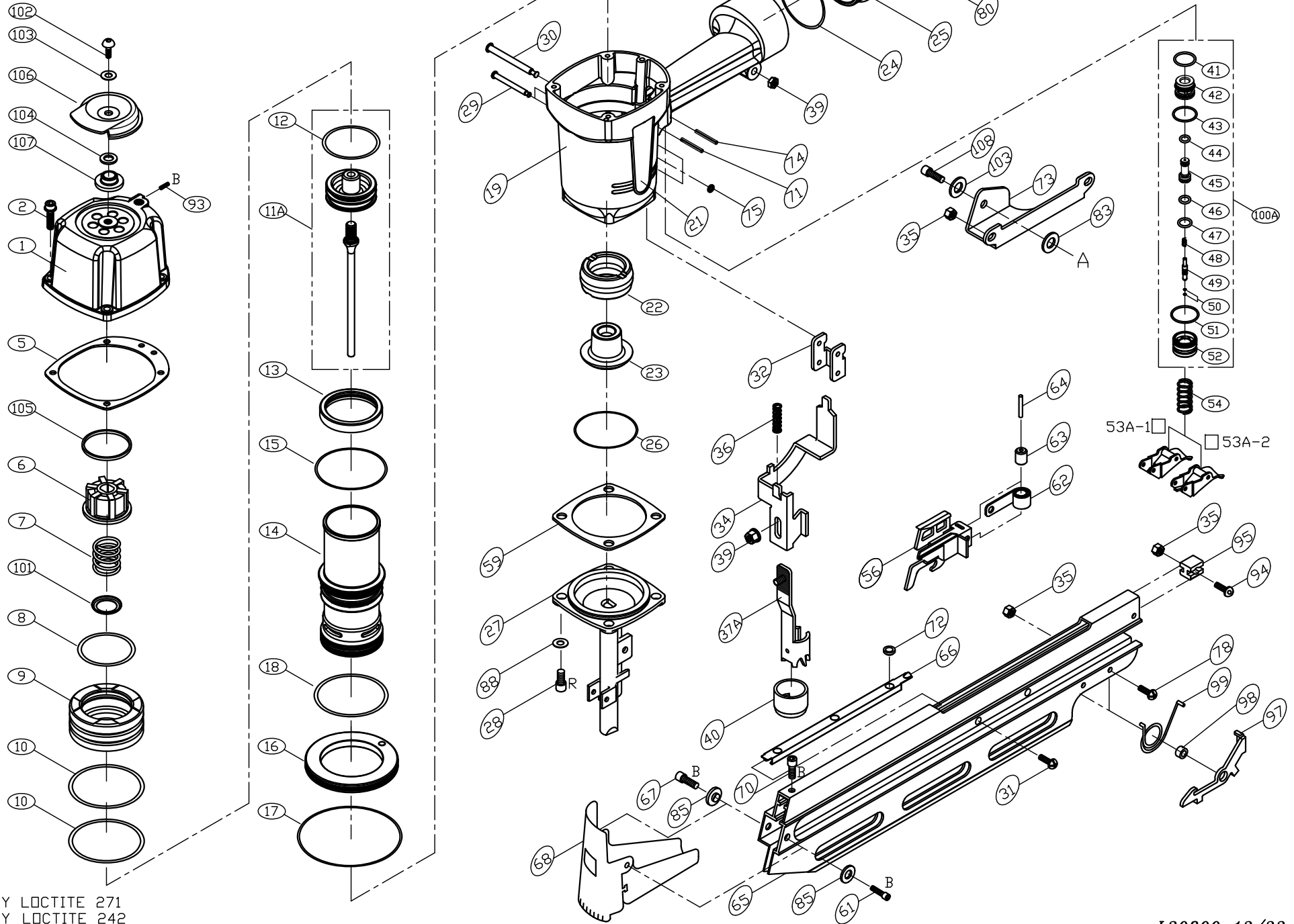


MODEL : L2190



*R : APPLY LOCTITE 271
 *B : APPLY LOCTITE 242

PARTS LIST (L2190)

*WHEN ORDERING SPARE PARTS, PLEASE STATE ITEM No, PART NO. AND DESCRIPTION.

ITEM	PART NO	DESCRIPTION	QTY	ITEM	PART NO	DESCRIPTION	QTY	ITEM	PART NO	DESCRIPTION	QTY
001	25400101	CYLINDER CAP UNIT	1	040	16104001	RUBBER PAD	2	083	GW0800W	GASKET WASHER	1
002	HS06100LW-30	HEX. SOC. HD. BOLT+SW	4	041	OR15618N	O RING**	1	085	16108501	SPACER	2
005	23300502A	CYLINDER CAP SEAL	1	042	23303501	TRIGGER VALVE	1	088	SW0800W	SPRING WASHER	4
006	25400601	PISTON STOP	1	043	OR17515N	O RING**	1	093	SS06100B-06	SET SCREW	1
007	23300701	COMPRESSION SPRING	1	044	OR05819N	O RING**	1	094	US05080B-20	UM. HD. BOLT	1
008	OR41630N	O RING**	1	045	23304103	VALVE PLUNGER	1	095	16109201	MAGAZINE BLOCK	1
009	25400903	HEAD VALVE PISTON	1	046	OR06819M	O RING**	1	097	30809701	RELEASER	1
010	OR56030N	O RING**	2	047	OR08819N	O RING**	1	098	16109801	ROLLER	1
011A	30801101A	DRIVER ASSEMBLY**	1	048	15108301	SPRING	1	099	16109901	SPRING	1
012	OR42848M	O RING**	1	049	23304501	PLUNGER	1	100A	23303804A	TRIGGER VALVE ASSEMBLY^	1
013	23301301	CYLINDER SEAL	1	050	OR02514M	O RING**	2	101	23310101	HEAD VALVE WASHER	1
014	25401401	CYLINDER	1	051	OR21015N	O RING**	1	102	US06100L-20	UM. HD. BOLT	1
015	OR56531N	O RING**	1	052	23303801	TRIGGER VALVE CAP	1	103	FW060130B-10	FLAT WASHER	2
016	23301601	CYLINDER RING	1	053A-1	30805301A	SEQUENTIAL FIRE TRIGGER	1	104	15108501	PU RING	1
017	OR84431N	O RING**	1	053A-2	30805302A	BUMP FIRE TRIGGER	1	105	25409801	COLLAR	1
018	OR55657N	O RING**	1	054	16305401	SPRING	1	106	15100202	EXHAUST COVER	1
019	23301901	BODY	1	056	16105601	PUSHER	1	107	25310001	SLEEVE	1
021	23302101	PLASTIC LABEL	2	059	16105901	GASKET**	1	108	HS06100BW-30	HEX. SOC. HD. BOLT+SW	1
022	23304801	BUMPER"A"	1	061	HS06100B-12	HEX. SOC. HD. BOLT	1				
023	23304901	BUMPER"B"	1	062	16106201	SPIRAL SPRING**	1				
024	OR54431N	O RING**	1	063	16106301	ROLLER	1				
025	23302501	END CAP	1	064	BP0424P	BALL PIN	1				
026	OR56718N	O RING**	1	065	16106501	MAGAZINE	1				
027	16102701	NOSE	1	066	16106601	NAIL GUIDE LINER	1				
028	HS08125B-30	HEX. SOC. HD. BOLT	4	067	HS06100B-18	HEX. SOC. HD. BOLT	1				
029	23302701	STEPPED PIN	2	068	16106802	DEBRIS SHIELD	1				
030	16102902	STEPPED PIN	1	070	HS03050B-04	HEX. SOC. HD. BOLT	1				
031	US05080B-12	UM. HD. BOLT	2	071	RP3030S	ROLLED PIN	1				
032	30803201	GUIDE SAFETY LEVER	1	072	16107101	INSERT	2				
034	30803401	UPPER SAFETY LEVER	1	073	30807301	BRACKET	1				
035	LN0500N	LOCK NUT	4	074	RP3020S	ROLLED PIN	1				
036	16103602	SPRING(CE)	1	075	OR01919N	O RING**	3				
037A	30803701A	SAFETY LEVER	1	078	US05080B-16	UM. HD. BOLT	1				
039	LN0600NB	LOCK NUT	2	080	16108001	AIR PLUG	1				