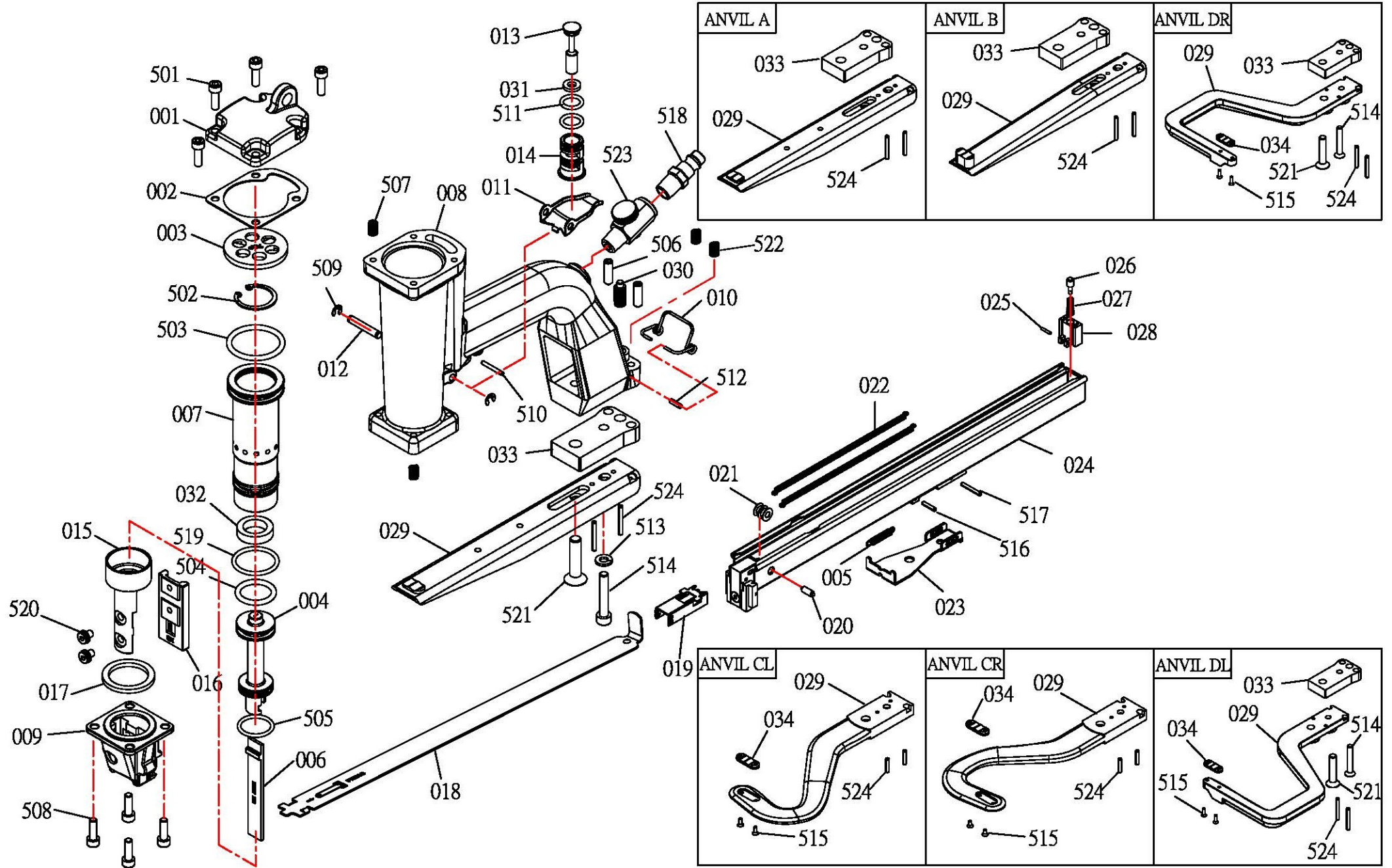


KP-P50-10BA Pneumatic Plier Stapler (SB103020 staple)



PARTS LIST (KP-P50-10B)

*WHEN ORDERING SPARE PARTS, PLEASE STATE ITEM NO, PART NO.AND DESCRIPTION.

ITEM	PART NO.	DESCRIPTION	QTY.	REMARK	ITEM	PART NO.	DESCRIPTION	QTY.	REMARK
001	A05500101	CAP	1		028	A05502101	BLOCK	1	
002	A05500201	PACKING	1		029	A05503001A	ANVIL A	1	
003	A05500301	BUMPER	1		029	A05503201A	ANVIL B	1	
004	A05500401	DRIVER PISTON	1		029	A05503101	ANVIL CL	1	
005	A05500501	SPRING	1		029	A05504701	ANVIL CR	1	
006	A05500601	DRIVER	1		029	A05504801	ANVIL DR	1	
007	A05500701	CYLINDER	1		029	A05505001	ANVIL DL	1	
008	A05500801	BODY	1	1/4"-19PT	030	A05504101	ROD	1	
009	A05500902	GUIDE	1		031	A05504201	SEAL	1	
010	A05501001	SPRING	1		032	A05504401	PROTECT WASHER	1	
011	A05501101	TRIGGER	1		033	A05504601	SPACER	1	ANVIL A,B
012	A05501201	ROD	1		034	A05503601	ANVIL C-1	1	ANVIL CL,CR,DR,DL
013	A05501301	VALVE	1		501	BAC0605202	HEX.SOC.HD.BLOT	4	M5x0.8-20
014	A05501401	TUBE	1		502	BAF22802	C-RING	1	φ28
015	A05501501	SLEEVE	1		503	BAB035337	O-RING	1	P34
016	A05501601	DRIVER GUIDE	1		504	BAB035214	O-RING	1	φ3.5x21.4
017	A05501701	BUMPER	1		505	BAB024208	O-RING	1	P21
018	A05501902A	COVER UNIT	1		506	BAC0306252	HEX.SOC.HDLESS.	2	M6x1-25(ANVIL A,B,DR,DL)
019	A05502401	PUSHER	1		506	BAC0306162	HEX.SOC.HDLESS.	2	M6x1-16(ANVIL CL,CR)
020	A05502601	ROD	1		507	BAG020502	HELI-COIL	8	M5x0.8-2D
021	A05502501	ROLLER	1		508	BAC0605142	HEX.SOC.HD.BLOT	4	M5x0.8-14
022	A05502301	SPRING	2		509	BAF10402	E-RING	2	φ4
023	A05502701	MAGAZINE CLAMP	1		510	BAA025018	SPRING PIN	1	φ2.5x18
024	A05503401A	MAGAZINE SET	1		511	BAB024118	O-RING	2	φ2.4x11.8
025	A05502201	ROD	1		512	BAA030010	SPRING PIN	2	φ3x10
026	A05502001	ROD	1		513	BAE01062	SPRING WASHER	1	M6
027	A05504001	SPRING	1		514	BAC0606352	HEX.SOC.HD.BLOT	1	M6x1-35(ANVIL A,B)

