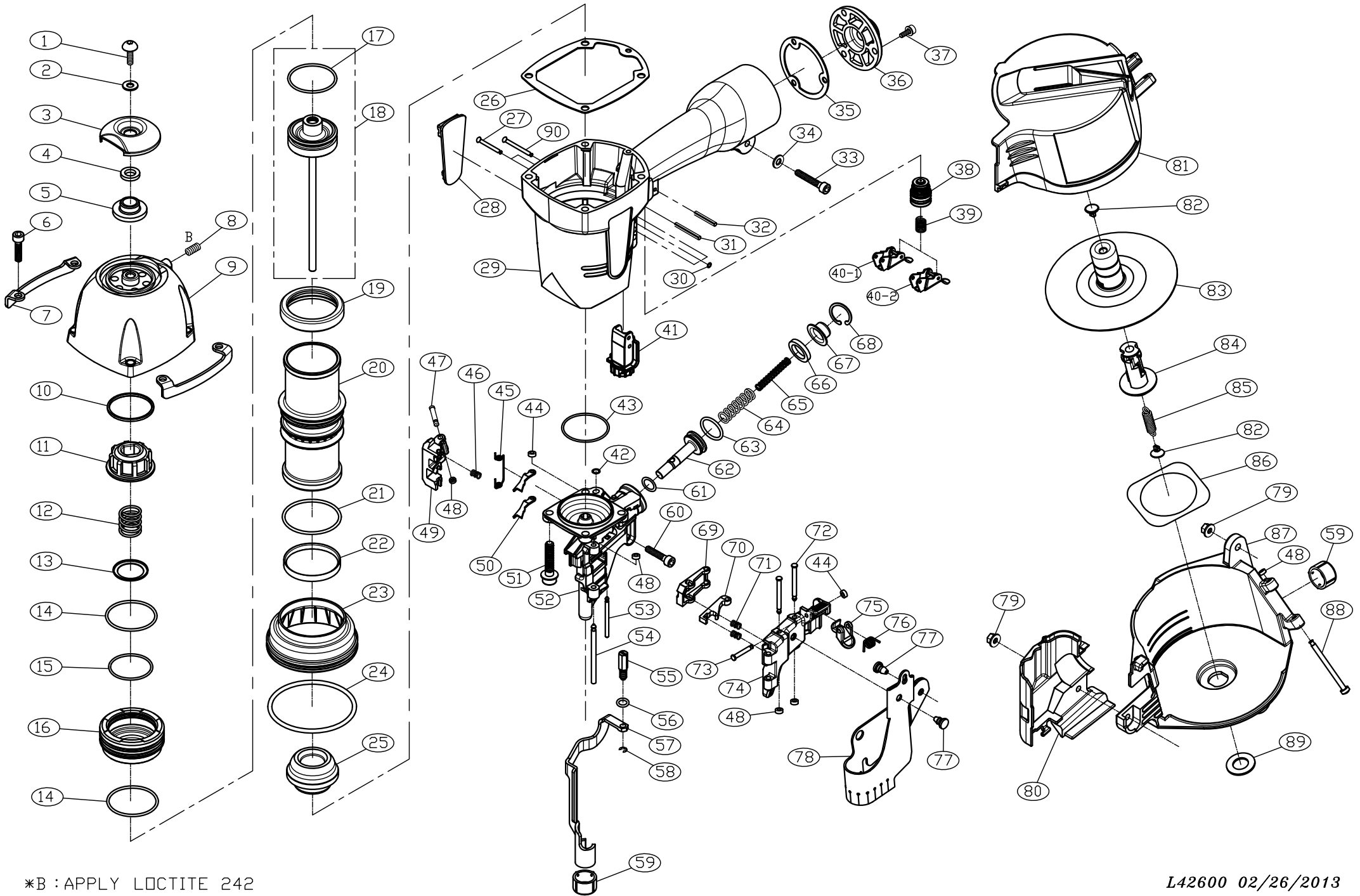


MODEL : CN-565S



*B : APPLY LOCTITE 242

L42600 02/26/2013

PARTS LIST (CN-565S)

*WHEN ORDERING SPARE PARTS, PLEASE STATE ITEM No, PART NO. AND DESCRIPTION.

ITEM	PART NO	DESCRIPTION	QTY	ITEM	PART NO	DESCRIPTION	QTY	ITEM	PART NO	DESCRIPTION	QTY
001	US06100L-25	UM.HD.BOLT	1	035	15107001	GASKET	1	068	CR2400R	C RING	1
002	FW060130B-10	FLAT WASHER	1	036	15107101	END CAP	1	069	27307601	CHECK PAWL	1
003	25300401	EXHAUST COVER	1	037	HS05080BW-16	HEX.SOC.HD.BOLT+SW	3	070	27307701	CHECK PAWL	1
004	10200501	SEAL	1	038	27310102A	BUMP FIRE TRIGGER KIT	1	071	27307801	COMPRESSION SPRING	2
005	25310001	SLEEVE	1	039	16305401	SPRING	1	072	27307901	STEP PIN	2
006	HS06100LW-30	HEX.SOC.HD.BOLT+SW	4	040-1	42600501A	SEQUENTIAL FIRE TRIGGER	1	073	27308302	PIN^	1
007	25300802	PROTECTOR	2	040-2	42600502A	BUMP FIRE TRIGGER	1	074	27308401	DOOR	1
008	SS06100B-06	SET SCREW	1	041	42600401A	DEPTH OF DRIVE ASSEMBLY	1	075	27308001	STOPPER^	1
009	27300902	CAP	1	042	OR06819M	O RING**	1	076	27308101	TORSION SPRING***^	1
010	25301101	COLLAR	1	043	OR47418N	O RING	1	077	23305801	DUST COVER HOOK	2
011	25301201	STOPPER	1	044	16103001	PU RING**	2	078	27308801	DUST COVER	1
012	25301301	COMPRESSION SPRING	1	045	27305801	COMPRESSION SPRING	1	079	LN0500NB	LOCK NUT	2
013	25301401	HEAD VALVE WASHER	1	046	27305701	COMPRESSION SPRING^	1	080	27309001	CONTACT ARM COVER	1
014	OR52126N	O RING	2	047	27306201	STEP PIN	1	081	27309101	MAGAZINE COVER	1
015	OR41026N	O RING	1	048	23306401	RUBBER WASHER**	5	082	23308201	SPRING RECEIVER^	2
016	25301701	HEAD VALVE PISTON	1	049	27306101	FEED PAWL	1	083	27309301A	NAIL SUPPORT UNIT	1
017	OR37735N	O RING**	1	050	27306301	CHECK PAWL	2	084	25408701	MAGAZINE POST	1
018	27301801A	DRIVER ASSEMBLY	1	051	HS06100BN1-20	HEX.SOC.HD.BOLT	4	085	23308401	TENSION SPRING	1
019	25301802	CYLINDER SEAL	1	052	27306401	NOSE	1	086	23308601	RUBBER PLATE	1
020	27302001	CYLINDER	1	053	27307401	STEP PIN	1	087	27309701	MAGAZINE	1
021	OR47026N	O RING	1	054	27307501	STRAIGHT PIN	1	088	23309001	STEP PIN	1
022	25302301	CYLINDER SEAL	1	055	27308501	CONTACT ARM	1	089	25408901	POST RETAINER	1
023	27302301	CYLINDER RING	1	056	OR04515N	O RING**	1	090	16102902	STEPPED PIN	1
024	OR74431N	O RING	1	057	27308601	CONTACT ARM UNIT	1				
025	27302501	BUMPER	1	058	ER0300R	E RING	1				
026	25301002	CYLINDER CAP SEAL	1	059	27309801	RUBBER PAD**	2				
027	23302701	STEPPED PIN	2	060	HS05080B-20	HEX.SOC.HD.BOLT	1				
028	25002501	PLASTIC LABEL	2	061	OR09116N	O RING**	1				
029	27302901	BODY	1	062	27306701	FEED PISTON	1				
030	OR01919N	O RING**	3	063	OR18025N	O RING**	1				
031	RP3030S	ROLLED PIN	1	064	27306901	COMPRESSION SPRING	1				
032	RP3025S	ROLLED PIN	1	065	27307001	COMPRESSION SPRING	1				
033	HS05080B-30	HEX.SOC.HD.BOLT	1	066	27307101	FEED PISTON STOP	1				
034	FW050120B-10	FLAT WASHER	1	067	27307201	SPRING COLLAR^	1				