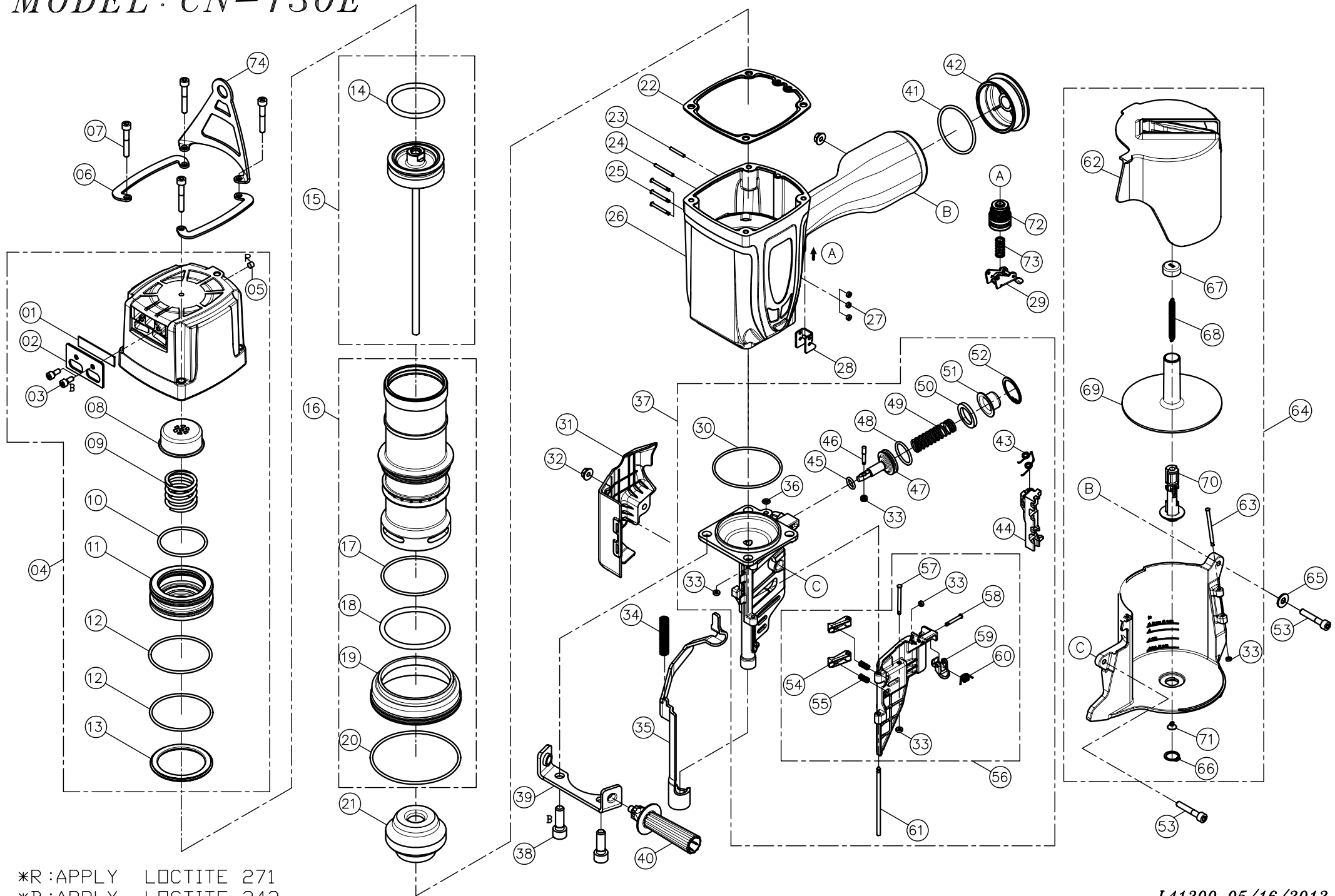


MODEL : CN-130E



*R : APPLY LOCTITE 271
 *B : APPLY LOCTITE 242

PARTS LIST (CN-130E)

*WHEN ORDERING SPARE PARTS, PLEASE STATE ITEM No, PART NO. AND DESCRIPTION.

ITEM	PART NO	DESCRIPTION	QTY	ITEM	PART NO	DESCRIPTION	QTY	ITEM	PART NO	DESCRIPTION	QTY
01	38400801	MUFFLER	1	35	41201301	CONTACT ARM UNIT	1	69	41201701	NAIL SUPPORT	1
02	38400701	EXHAUST FILTER	1	36	OR04819N	O RING**	1	70	41202001	MAGAZINE POST	1
03	HS05080B-12	HEX. SOC. HD. BOLT	2	37	41200601A	NOSE ASSEMBLY	1	71	23308201	SPRING RECEIVER^	1
04	412B00-A37	CAP ASSEMBLY	1	38	HS10150B-30	HEX. SOC. HD. BOLT	4	72	23303804A	TRIGGER VALVE ASSEMBLY^	1
05	SS06100B-06	SET SCREW	1	39	36209301	RETAINER	1	73	16305401	SPRING	1
06	36101201	PROTECTOR	2	40	36209501A	HANDLE ASM.	1	74	41202601	COUNTER BALANCER	1
07	HS06100L-40	HEX. SOC. HD. BOLT	4	41	OR54431N	O RING**	1				
08	36100201	PISTON STOPPER	1	42	23302504	END CAP	1				
09	28000801	COMPRESSION SPRING	1	43	41202101	TORSION SPRING	1				
10	OR52030N	O RING**	1	44	41201201	FEEDER PAWL	1				
11	28001101	PISTON HEAD VALVE	1	45	OR10025N	O RING	1				
12	OR68030N	O RING**	2	46	41202501	STEP PIN	1				
13	28001201	SEAL	1	47	41201101	FEED PISTON	1				
14	OR55657N	O RING**	1	48	OR25126N	O RING**	1				
15	41200501A	DRIVER ASSEMBLY	1	49	41200901	COMPRESSION SPRING	1				
16	41200401A	CYLINDER ASSEMBLY	1	50	41200801	FEED PISTON STOP	1				
17	OR72030N	O RING**	1	51	41201001	SPRING COLLAR	1				
18	OR70657N	O RING**	1	52	CR3100R	C RING	1				
19	36201701	CYLINDER RING	1	53	HS06100B-35	HEX. SOC. HD. BOLT	2				
20	OR99431N	O RING**	1	54	23306802	CHECK PAWL	2				
21	36202001	BUMPER**^	1	55	25306901	COMPRESSION SPRING**^	2				
22	36101002A	CYLINDER CAP SEAL	1	56	41200701A	DOOR	1				
23	RP3022S	ROLLED PIN	1	57	36206501	PIN^	1				
24	RP3030S	ROLLED PIN	1	58	27308301	PIN^	1				
25	23302701	STEPPED PIN	3	59	27308001	STOPPER^	1				
26	36202401	BODY	1	60	41201801	TORSION SPRING	1				
27	16103001	PU RING**	3	61	36205101	STRAIGHT PIN^	1				
28	23303301	CONTACT ARM GUIDE	1	62	41201501	MAGAZINE COVER	1				
29	41202201A	TRIGGER ASSEMBLY	1	63	23309001	STEP PIN	1				
30	OR75926N	O RING**	1	64	41201501A	MAGAZINE ASSEMBLY	1				
31	41201401	SAFETY COVER	1	65	FW060160B-15	FLAT WASHER	1				
32	LN0600NB	LOCK NUT	2	66	CR18000S	C RING	1				
33	23306401	RUBBER WASHER**	5	67	41202401	NAIL SUPPORT COVER	1				
34	36205501	COMPRESSION SPRING	1	68	41201601	TENSION SPRING	1				