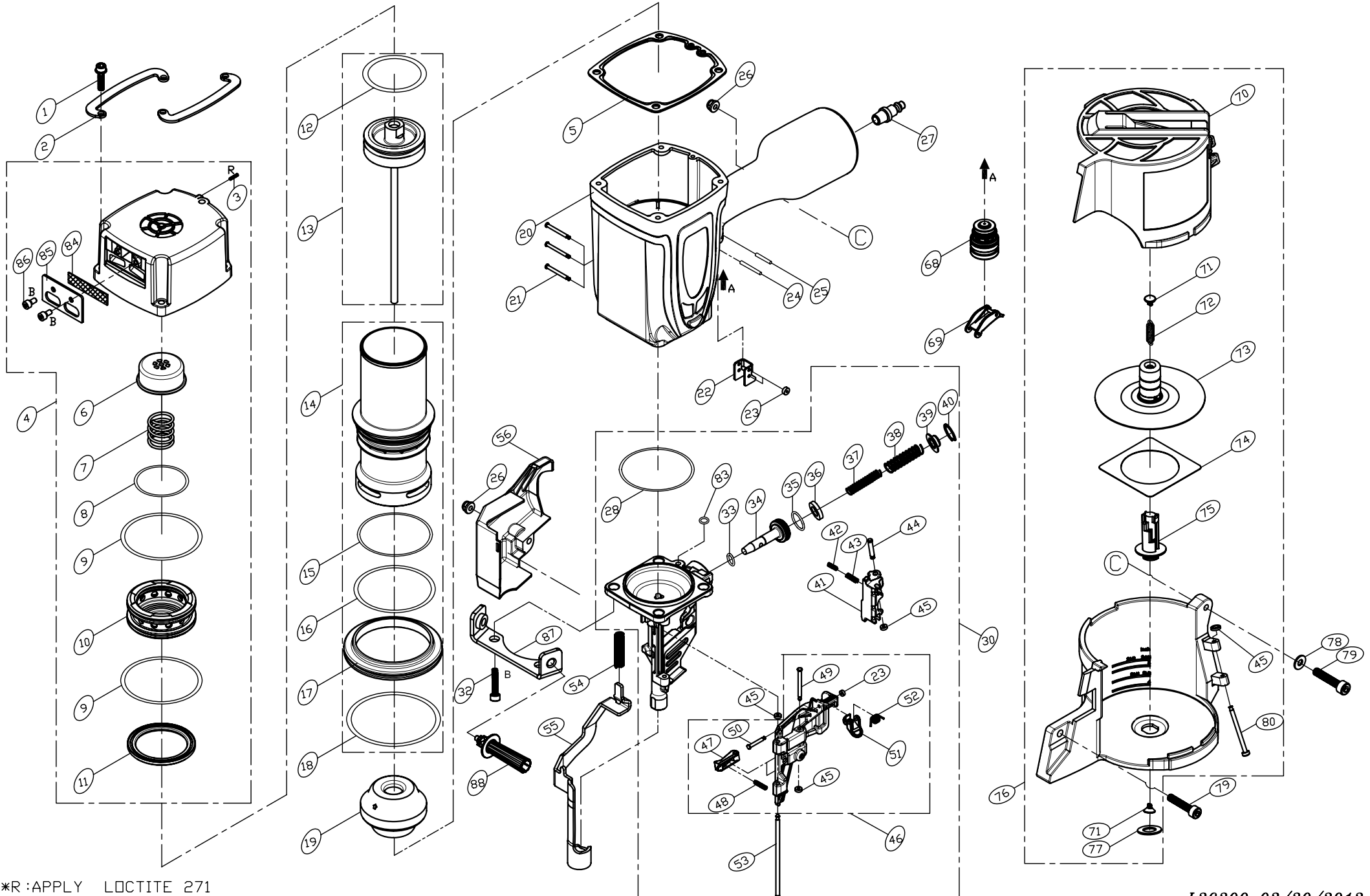


MODEL : CN-100E



*R: APPLY LOCTITE 271
 *B: APPLY LOCTITE 242

PARTS LIST (CN-100E)

*WHEN ORDERING SPARE PARTS, PLEASE STATE ITEM No, PART NO. AND DESCRIPTION.

| ITEM | PART NO | DESCRIPTION | QTY | ITEM | PART NO | DESCRIPTION | QTY | ITEM | PART NO | DESCRIPTION | QTY |
|------|--------------|-----------------------|-----|------|--------------|-------------------------|-----|------|-------------|--------------------|-----|
| 01 | HS06100LW-30 | HEX. SOC. HD. BOLT+SW | 4 | 37 | 36203101 | COMPRESSION SPRING**^ | 1 | 84 | 38400801 | MUFFLER | 1 |
| 02 | 36101201 | PROTECTOR | 2 | 38 | 36203001 | COMPRESSION SPRING**^ | 1 | 85 | 38400701 | EXHAUST FILTER | 1 |
| 03 | SS06100B-06 | SET SCREW | 1 | 39 | 23307701 | SPRING COLLAR | 1 | 86 | HS05080B-12 | HEX. SOC. HD. BOLT | 2 |
| 04 | 361B00-A37 | CAP ASSEMBLY | 1 | 40 | CR2600R | C RING** | 1 | 87 | 36209301 | RETAINER | 1 |
| 05 | 36101002A | CYLINDER CAP SEAL | 1 | 41 | 36207001 | FEEDER PAWL^ | 1 | 88 | 36209501A | HANDLE ASM. | 1 |
| 06 | 36100201 | PISTON STOPPER | 1 | 42 | 36207701 | COMPRESSION SPRING**^ | 1 | | | | |
| 07 | 28000801 | COMPRESSION SPRING | 1 | 43 | 36207601 | COMPRESSION SPRING^ | 1 | | | | |
| 08 | OR52030N | O RING** | 1 | 44 | 36207101 | STEP PIN^ | 1 | | | | |
| 09 | OR68030N | O RING** | 2 | 45 | 23306401 | RUBBER WASHER** | 4 | | | | |
| 10 | 28001101 | PISTON HEAD VALVE | 1 | 46 | 36206301A | DOOR | 1 | | | | |
| 11 | 28001201 | SEAL | 1 | 47 | 23306802 | CHECK PAWL | 2 | | | | |
| 12 | OR55657N | O RING** | 1 | 48 | 25306901 | COMPRESSION SPRING**^ | 2 | | | | |
| 13 | 36201501A | DRIVER ASSEMBLY**^ | 1 | 49 | 36206501 | PIN^ | 1 | | | | |
| 14 | 36201601A | CYLINDER ASSEMBLY | 1 | 50 | 27308301 | PIN^ | 1 | | | | |
| 15 | OR72030N | O RING** | 1 | 51 | 27308001 | STOPPER^ | 1 | | | | |
| 16 | OR70657N | O RING** | 1 | 52 | 41201801 | TORSION SPRING | 1 | | | | |
| 17 | 36201701 | CYLINDER RING | 1 | 53 | 36205101 | STRAIGHT PIN^ | 1 | | | | |
| 18 | OR99431N | O RING** | 1 | 54 | 36205501 | COMPRESSION SPRING | 1 | | | | |
| 19 | 36202001 | BUMPER**^ | 1 | 55 | 36205601 | CONTACT ARM UNIT | 1 | | | | |
| 20 | 36202401 | BODY | 1 | 56 | 36209201 | CONTACT ARM COVER | 1 | | | | |
| 21 | 23302701 | STEPPED PIN | 3 | 68 | 23303804A | TRIGGER VALVE ASSEMBLY^ | 1 | | | | |
| 22 | 23303301 | CONTACT ARM GUIDE | 1 | 69 | 23304301A | TRIGGER ASSEMBLY^ | 1 | | | | |
| 23 | 16103001 | PU RING** | 4 | 70 | 36207901 | MAGAZINE COVER | 1 | | | | |
| 24 | RP3030S | ROLLED PIN | 1 | 71 | 23308201 | SPRING RECEIVER^ | 2 | | | | |
| 25 | RP3022S | ROLLED PIN | 1 | 72 | 23308401 | TENSION SPRING | 1 | | | | |
| 26 | LN0600N | LOCK NUT | 2 | 73 | 36208501A | NAIL SUPPORT UNIT ASM. | 1 | | | | |
| 27 | 16108001 | AIR PLUG | 1 | 74 | 23308601 | RUBBER PLATE | 1 | | | | |
| 28 | OR75926N | O RING** | 1 | 75 | 25408701 | MAGAZINE POST | 1 | | | | |
| 30 | 36205301A | NOSE ASSEMBLY | 1 | 76 | 36209101A | MAGAZINE ASSEMBLY | 1 | | | | |
| 32 | HS10150B-30 | HEX. SOC. HD. BOLT | 4 | 77 | 25408901 | POST RETAINER | 1 | | | | |
| 33 | OR09824N2 | O RING** | 1 | 78 | FW060160B-15 | FLAT WASHER | 1 | | | | |
| 34 | 36207301 | FEED PISTON^ | 1 | 79 | HS06100B-40 | HEX. SOC. HD. BOLT | 2 | | | | |
| 35 | OR20724N | FEED PISTON O RING** | 1 | 80 | 23309001 | STEP PIN | 1 | | | | |
| 36 | 23307501 | FEED PISTON STOP | 1 | 83 | OR04819N | O RING** | 1 | | | | |