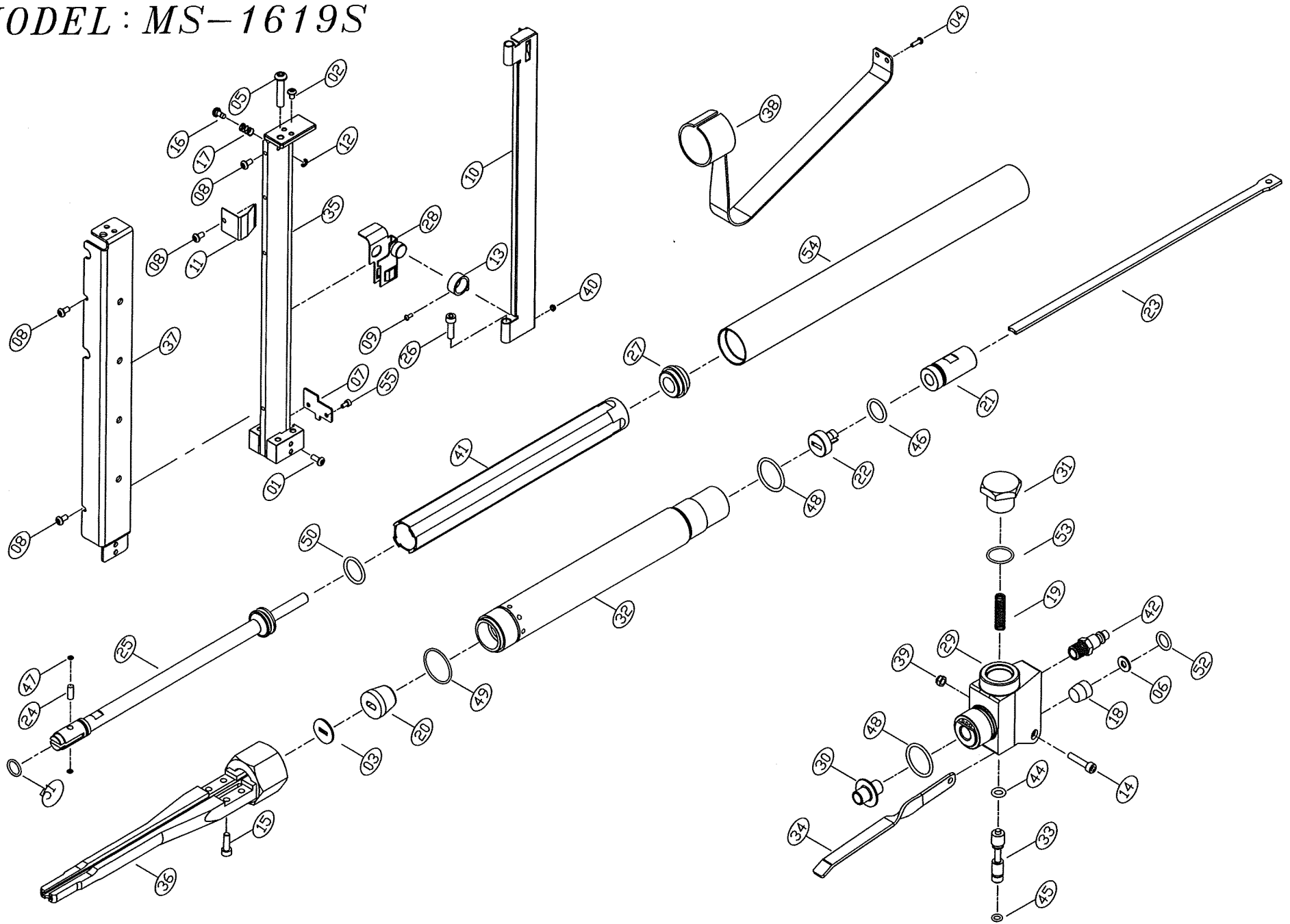


MODEL: MS-1619S



PARTS LIST

(MS-1619S)

*WHEN ORDERING SPARE PARTS, PLEASE STATE ITEM NO, PART NO. AND DESCRIPTION.

ITEM	PART NO	DESCRIPTION	QTY	ITEM	PART NO	DESCRIPTION	QTY	ITEM	PART NO	DESCRIPTION	QTY
01	US04070B-10	UM.HD.BOLT	2	35	90503501	STAPLE RAIL	1				
02	US04070B-06	UM.HD.BOLT	2	36	90503602	GUIDE BODY	1				
03	90500301	DRIVER GUIDE	1	37	90503701	INNER RAIL	1				
04	US03050B-10	UM.HD.BOLT	2	38	90503801	TRIGGER GUARD	1				
05	US06100B-20	UM.HD.BOLT	1	39	LN0500N	LOCK NUT	1				
06	FW06014B-15	FLAT WASHER	1	40	LN0250N	LOCK NUT	1				
07	90500701	PLATE	1	41	90504101	CYLINDER	1				
08	US04070B-08	UM.HD.BOLT	4	42	12106401	AIR PLUG	1				
09	US02045B-06	UM.HD.BOLT	1	44	OR07626N	O RING	1				
10	90501001	MAGAZINE COVER	1	45	OR06018N	O RING**	1				
11	90501101	COVER HOLDER	1	46	OR17126M	O RING	1				
12	ER0300R	E RING	1	47	OR03010N	O RING**	2				
13	90501301	FEED SPRING	1	48	OR26726N	O RING	2				
14	HS05080B-25	HEX.SOC.HD.BOLT**	1	49	OR29818N	O RING**	1				
15	HS05080B-16	HEX.SOC.HD.BOLT	4	50	OR20226N	O-RING	1				
16	90501601	FEEDERSHOE LOCK	1	51	OR12418N	O RING	1				
17	90501701	LOCK SPRING	1	52	OR12326N	O RING**	1				
18	90501801	SILENCER	1	53	OR20318N	O-RING	1				
19	90501901	VALVE SPRING	1	55	HS03050B-06	HEX.SOC.HD.BOLT	2				
20	90502001	BUMPER	1								
21	90502101	COUPLER	1								
22	90502201	PISTON	1								
23	90502302	DRIVER BLADE	1								
24	90502401	PIN	1								
25	90502501	PISTON	1								
26	HS05080B-18	HEX.SOC.HD.BOLT	1								
27	90502701	SEAL	1								
28	90502801	FEEDERSHOE ASM	1								
29	90502901	VALVE BODY	1								
30	90503001	FLOW DIVERTOR	1								
31	90503101	VALVE CAP	1								
32	90503201	CYLINDER SLEEVE A	1								
33	90503301	VALVE	1								
34	90503401	TRIGGER	1								