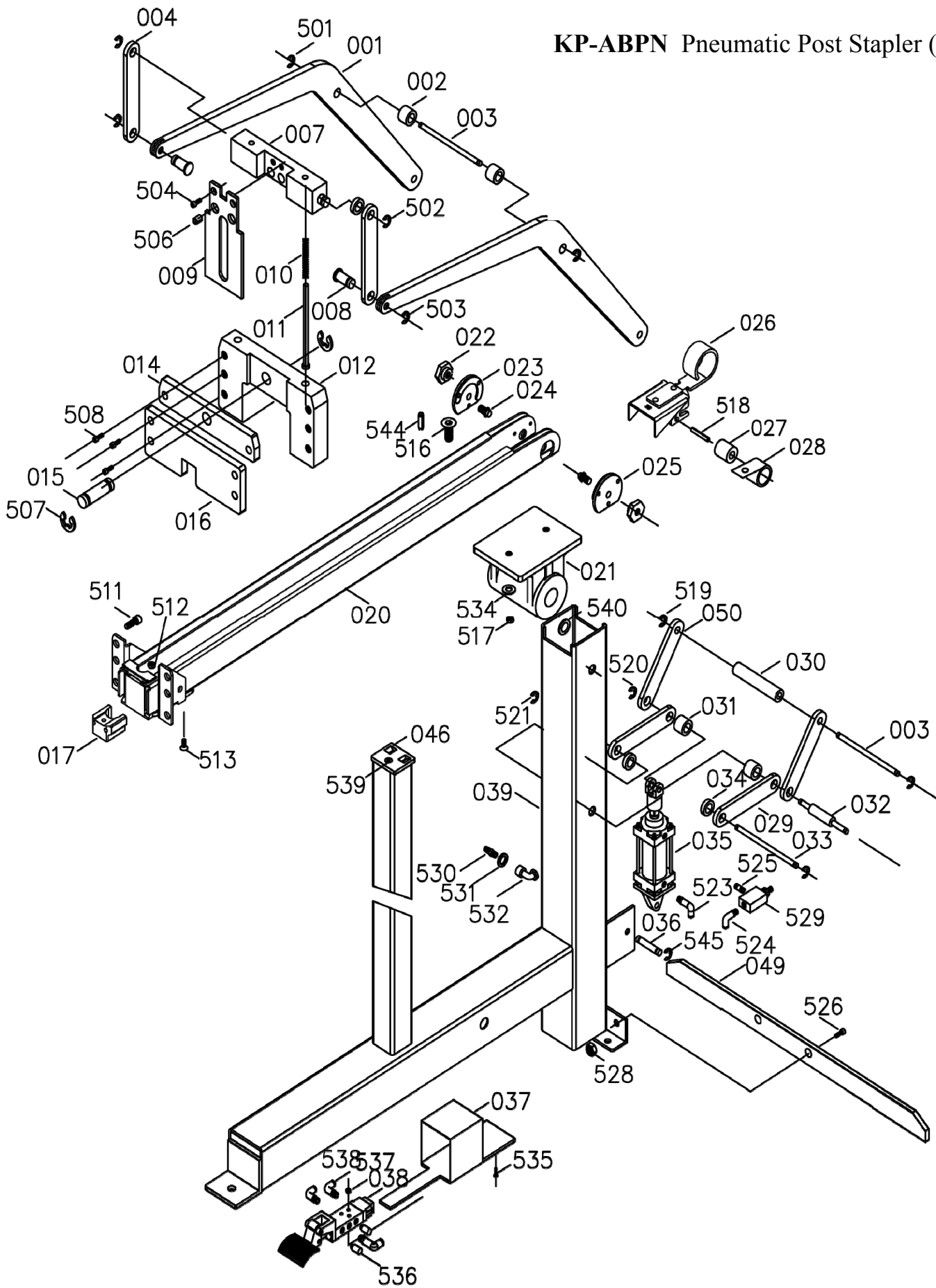


KP-CBPN Pneumatic Post Stapler (C staple)

KP-ABPN Pneumatic Post Stapler (A staple)



KP-CBPN Pneumatic Bottom Stapler (C staple)
 MODEL: KP-ABPN Pneumatic Bottom Stapler (A staple)

Item	Parts No.	Description	Q'ty	Spec.
001	A00600102	LINK 1	2	New
002	A00603401	TUBE	2	
003	A00603201	SHAFT E	2	
004	A00600401	LINK 2	2	
007	A00600703	DRIVER SEAT	1	
008	A00600801	SHAFT C	2	
009	A00600904	DRIVER	1	35
009	A00600905	DRIVER	1	32
009	A00600906	DRIVER	1	34
009	A00600907	DRIVER	1	9040 , 7437
010	A00601002	SPRING	2	
011	A00601103@	SPRING SHAFT	2	
012	A00601202	MAGAZINE SEAT	1	35
012	A00601203	MAGAZINE SEAT	1	32
012	A00601204	MAGAZINE SEAT	1	34
012	A00601206	MAGAZINE SEAT	1	9040 , 7437
014	A00601405	COVER B	1	
015	A00601502	SHAFT D	1	
016	A00601605	COVER A	1	
017	A00607501	BRACKET	1	
020	CMB-S-35-P3-S	MAGAZINE UNIT	1	35
020	CMB-S-32-P3-S	MAGAZINE UNIT	1	32
020	CMB-S-34-P3-S	MAGAZINE UNIT	1	34
020	CMB-S-9040-P3-S	MAGAZINE UNIT	1	9040
020	CMB-S-7437-P3-S	MAGAZINE UNIT	1	7437
021	CMB-P12	BRACKET SET	1	
022	A00607101	NUT	2	
023	A00103903@	RIGHT PUSHER GUIDE	1	
024	A00103203	ROD	2	
025	A00103904@	LEFT PUSHER GUIDE	1	
026	A00103710@	PUSHER SET	1	32
026	A00103711@	PUSHER SET	1	34
026	A00103709@	PUSHER SET	1	35
026	A00103714@	PUSHER SET	1	7437
026	A00103715@	PUSHER SET	1	9040
027	A00103501	ROLLER	1	
028	A00602801	SPRING	1	
029	A00602901	LINK 3 -A	2	
030	A00603002	TUBE	1	
031	A00700704	TUBE	2	
032	A00700206	SHAFT K	1	
033	A00603302	SHAFT F	1	
034	A00603402	TUBE	2	
035	BAI0104	CYLINDER SET	1	φ80, S=75mm
036	A00700601	SHAFT M	1	
037	A00700302@	SWITCH COVER UNIT	1	
038	BAI0302	SWITCH	1	

Item	Parts No.	Description	Q'ty	Spec.
039	A00603905@	BODY SET	1	New
046	A00604606	MOLD	1	35 , 34 , 9040 , 7437
046	A00604605	MOLD	1	32
049	A00604901	BALANCER	1	
050	A00602903	LINK 3-C	2	New
501	BAF-11002	E-RING	2	φ10
502	BAF-10502	E-RING	2	φ5
503	BAF-10502	E-RING	2	φ5
504	BAC0604102	HEX.SOC.HD.BOLT	2	M4 x 0.7-10
506	BAA060016	SPRING PIN	2	φ6-16
507	BAF-10602	E-RING	2	φ6
508	BAC0605102	HEX.SOC.HD.BOLT	6	M5 x 0.8-10
511	BAC0605082	HEX.SOC.HD.BOLT	6	M5 x 0.8-8
512	BAD01041	LOCK NUT	1	M4 x 0.7
513	BAC0204202	HEX.SOC.FLAT COUNTER	1	M4 x 0.7-20
516	BAC0205202	HEX.SOC.FLAT COUNTER	2	M5 x 0.8-20
517	BAD02051	LOCK NUT	2	M5 x 0.8
518	BAAD040016	SPRING PIN	1	φ4-16
519	BAF-11002	E-RING	2	φ10
520	BAF-11002	E-RING	2	φ10
521	BAF-11002	E-RING	2	φ10
523	BAI0703	PU PLUG	1	3/8" x φ 12-90°
524	BAI0703	PU PLUG	1	3/8" x φ 12-90°
525	BAI1002	DOUBLE SCREW TUBE	1	3/8"x3/8" 直形
526	BAC0408202	HEX.SOC.HD.BOLT	2	M8 x 1.25-20
528	BAD01081	LOCK NUT	2	M8 x 1.25
529	BAI1102	QUICK EXHAUST	1	3/8"
530	A00100801	AIR PLUG	1	Japanese Type 1/4"x5/16"
530	A00100802	AIR PLUG	1	U.S.A. Type 1/4"x5/16"
530	A00100803	AIR PLUG	1	European Type 1/4"x5/16"
531	BAE01122	SPRING WASHER	1	φ 12
532	BAI1203	PU PLUG	1	内牙1/4" x φ 12-90°
534	BAE03051	WASHER	2	φ 5.1x φ 12x φ 0.8T
535	BAC050012	FLAT HEAD SCREW	3	3/16" UNC
536	BAI0503	DEFLECTOR	2	3/8"
537	BAD03012	NUT	3	3/16" NUC
538	BAI0703	PU PLUG	3	3/8" x 8-90°
539	BAC0904082	HEX.SOC.ROUND.HD.SCREW	2	M4 x 0.7-8
540	BAE03162	WAVE WASHER	2	φ16.5 xφ23
541	BAI0803	TUBE	2	φ8 xφ12x130 CM
542	BAI0804	TUBE	1	φ8 xφ12x145CM
543	BAI0805	TUBE	1	φ8 xφ12x120CM
544	BAA040012	SPRING PIN	4	φ4 x 12
545	BAF-11502	E-RING	2	φ15