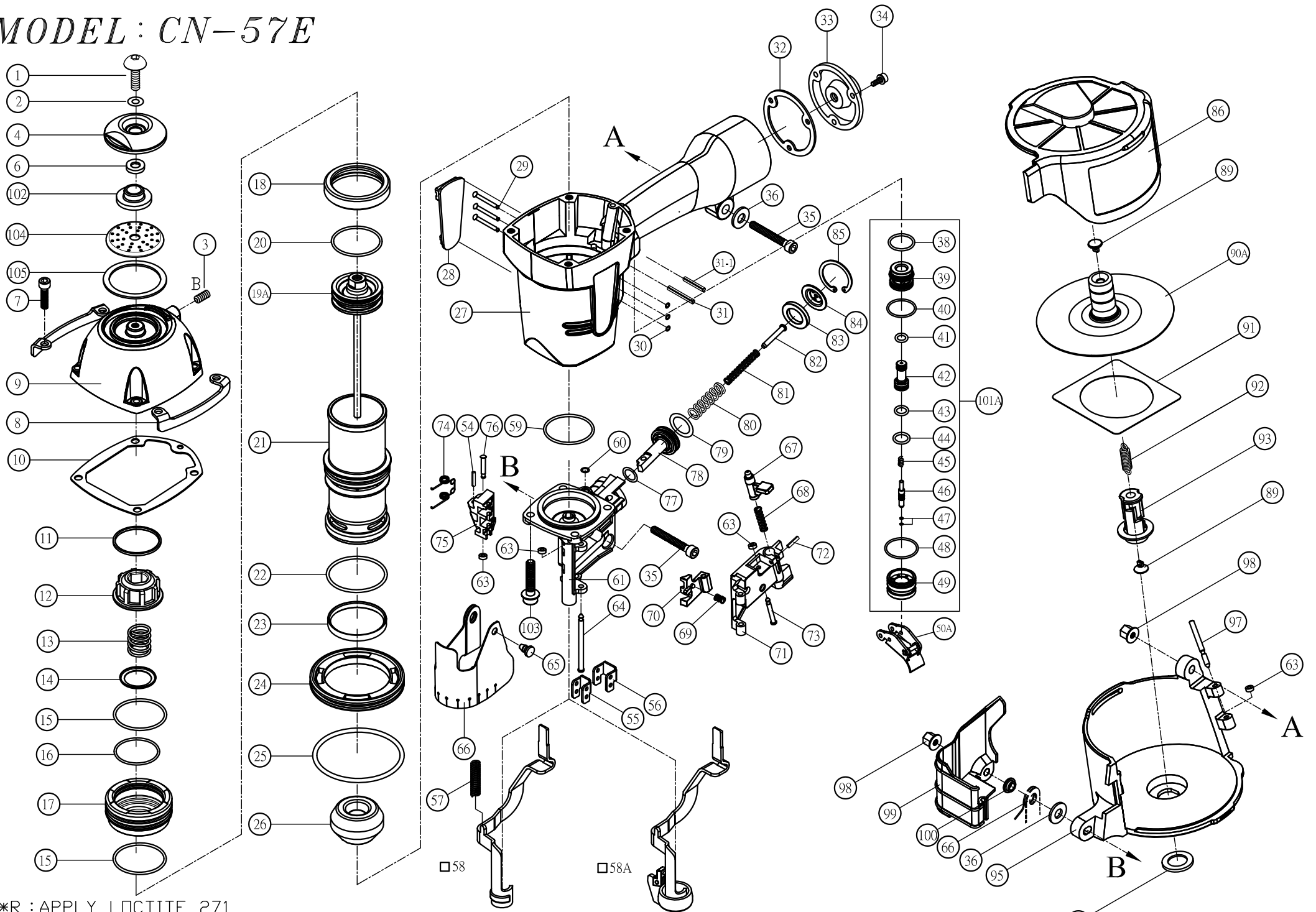


MODEL : CN-57E



*R : APPLY LOCTITE 271
 *B : APPLY LOCTITE 242

PARTS LIST (CN-57E)

*WHEN ORDERING SPARE PARTS, PLEASE STATE ITEM No, PART NO. AND DESCRIPTION.

ITEM	PART NO	DESCRIPTION	QTY	ITEM	PART NO	DESCRIPTION	QTY	ITEM	PART NO	DESCRIPTION	QTY
001	US06100L-25	UM.HD.BOLT	1	035	HS06100B-40	HEX.SOC.HD.BOLT	2	073	25307301	STEP PIN	1
002	FW060130B-10	FLAT WASHER	1	036	FW060160B-15	FLAT WASHER	2	074	25307402	TORSION SPRING	1
003	SS06100B-06	SET SCREW	1	038	OR15618N	O RING**	1	075	25307501	FEED PAWL	1
004	25300401	EXHAUST COVER	1	039	23303501	TRIGGER VALVE	1	076	23307101	STEP PIN	1
006	10200501	SEAL	1	040	OR17515N	O RING**	1	077	OR09824N1	O RING	1
007	HS06100LW-30	HEX.SOC.HD.BOLT+SW	4	041	OR05819N	O RING**	1	078	25307801	FEED PISTON	1
008	25300802	PROTECTOR	2	042	23304103	VALVE PLUNGER	1	079	OR20724N	FEED PISTON O RING**	1
009	25300902	CYLINDER CAP UNIT	1	043	OR06819M	O RING**	1	080	25308001	COMPRESSION SPRING	1
010	25301002	CYLINDER CAP SEAL	1	044	OR08819N	O RING**	1	081	25308101	COMPERSION SPRING	1
011	25301101	COLLAR	1	045	15108301	SPRING	1	082	25308201	SPRING COLLAR	1
012	25301201	STOPPER	1	046	23304501	PLUNGER	1	083	25308301	FEED PISTON STOP	1
013	25301301	COMPRESSION SPRING	1	047	OR02514M	O RING**	2	084	25308401	SPRING COLLAR	1
014	25301401	HEAD VALVE WASHER	1	048	OR21015N	O RING**	1	085	CR2600R	C RING**	1
015	OR52126N	O RING	2	049	23303801	TRIGGER VALVE CAP	1	086	25308601	MAGAZINE COVER	1
016	OR41026N	O RING	1	050A	23304301A	TRIGGER ASSEMBLY^	1	089	23308201	SPRING RECEIVER^	2
017	25301701	HEAD VALVE PISTON	1	054	RP3016S	ROLLED PIN	1	090A	25309001A	NAIL SUPPORT UNIT	1
018	25301802	CYLINDER SEAL	1	055	25305501	CONTACT ARM GUIDE	1	091	23308601	RUBBER PLATE	1
019A	25301901A	DRIVER ASSEMBLY**	1	056	25305601	CONTACT ARM COVER	1	092	23308401	TENSION SPRING	1
020	OR37735N	O RING**	1	057	25305701	COMPRESSION SPRING	1	093	25408701	MAGAZINE POST	1
021	25302101	CYLINDER	1	058	25305801	CONTACT ARM UNIT	1	095	25309501	MAGAZINE	1
022	OR50526N	O RING	1	058A	25305802A	ADJUSTABLE SAFETY YOKE CN	1	096	25408901	POST RETAINER	1
023	25302301	CYLINDER SEAL	1	059	OR47418N	O RING	1	097	25309701	STEP PIN	1
024	25302401	CYLINDER RING	1	060	OR03718N	O RING	1	098	LN0600NB	LOCK NUT	2
025	OR74431N	O RING	1	061	25306102	NOSE	1	099	25309901	CONTACT ARM COVER	1
026	25302601	BUMPER	1	063	23306401	RUBBER WASHER**	4	100	23309301	COLLAR	1
027	25302701	BODY	1	064	25306401	STRAIGHT PIN	1	101A	23303804A	TRIGGER VALVE ASSEMBLY^	1
028	25002501	PLASTIC LABEL	2	065	23305801	DUST COVER HOOK	1	102	25310001	SLEEVE	1
029	23302701	STEPPED PIN	3	066	25306601	DUST COVER	1	103	HS06100BPW-25	HEX.SOC.HD.BOLT	4
030	OR01919N	O RING**	3	067	23306101	DOOR LATCH	1	104	25300501	EXHAUST FILTER	1
031	RP3030S	ROLLED PIN	1	068	23306201	COMPRESSION SPRING	1	105	25310101	SEAL	1
031-1	RP3025S	ROLLED PIN	1	069	25306901	COMPRESSION SPRING**^	1				
032	15107001	GASKET	1	070	25307001	CHECK PAWL	1				
033	15107101	END CAP	1	071	25307103	DOOR	1				
034	HS05080BW-16	HEX.SOC.HD.BOLT+SW	3	072	RP3012S	ROLLED PIN	1				