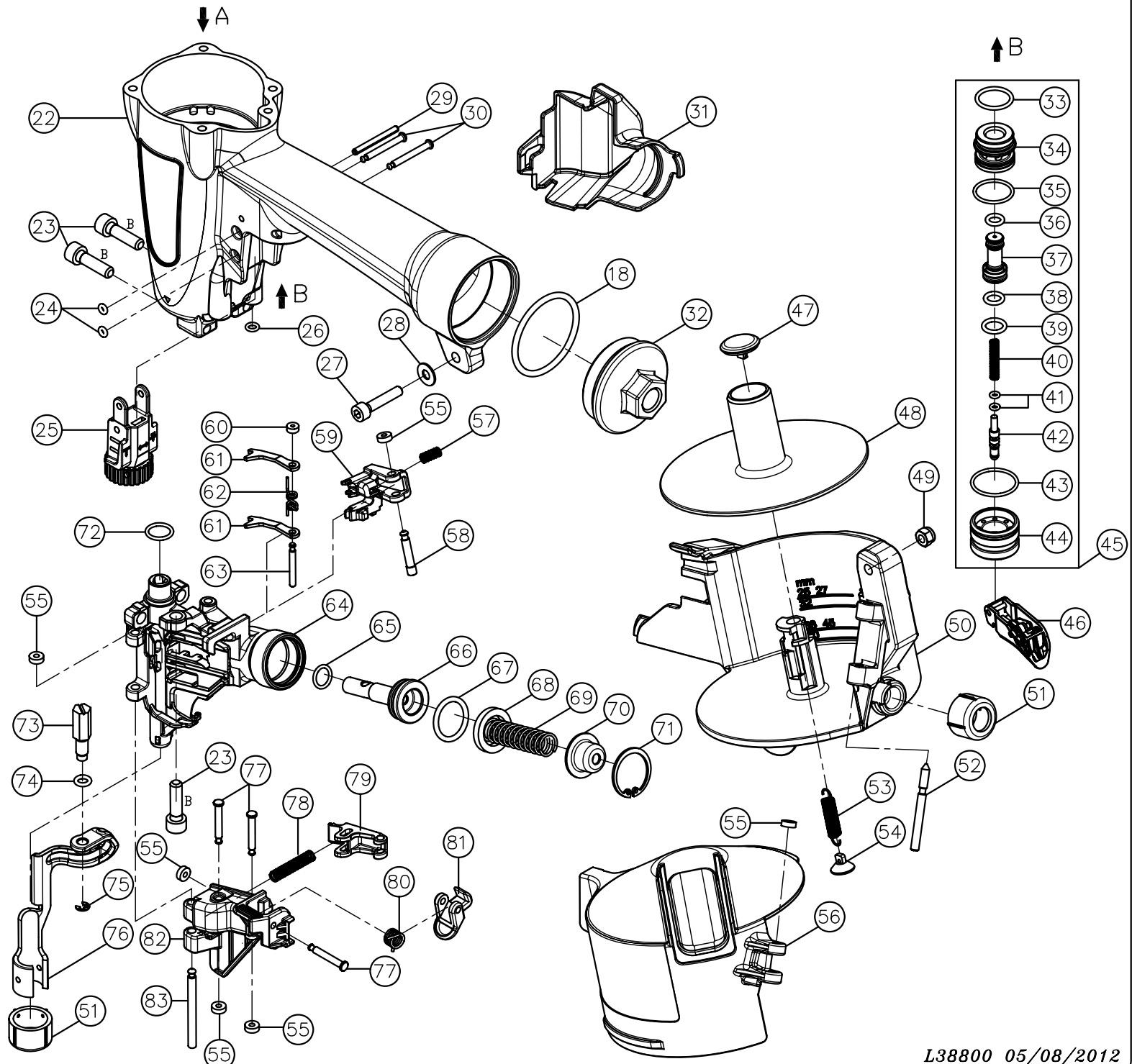
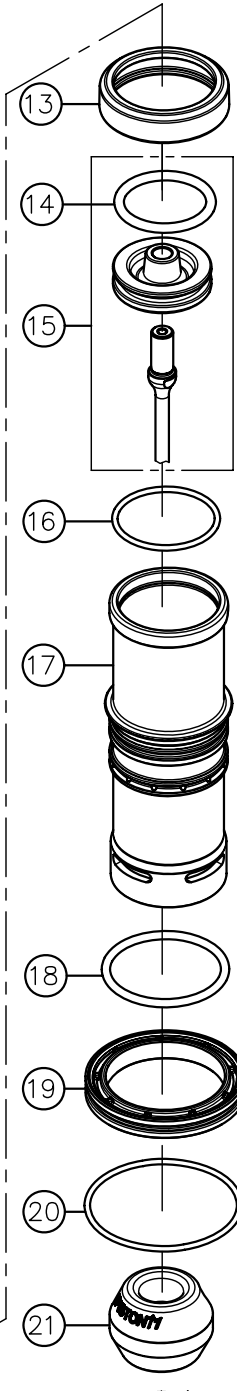
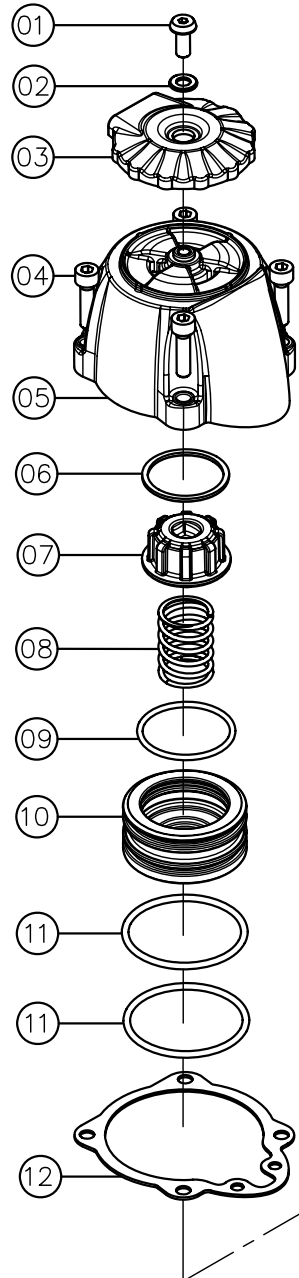


MODEL : CN-50P



*B : APPLY LOCTITE 242

PARTS LIST (CN-50P)

*WHEN ORDERING SPARE PARTS, PLEASE STATE ITEM No, PART NO. AND DESCRIPTION.

ITEM	PART NO	DESCRIPTION	QTY	ITEM	PART NO	DESCRIPTION	QTY	ITEM	PART NO	DESCRIPTION	QTY
01	US05080L-12	UM.HD.BOLT**	1	35	OR17515N	O RING**	1	69	38802401	COMPRESSION SPRING^	1
02	FW050100B-10	FLAT WASHER	1	36	OR05819N	O RING**	1	70	27307201	SPRING COLLAR^	1
03	34901101	EXHAUST COVER, POLYMER	1	37	23304103	VALVE PLUNGER	1	71	CR2400R	C RING	1
04	HS05080L-20	HEX.SOC.HD.BOLT**	4	38	OR06819M	O RING**	1	72	OR11016N	O RING**	1
05	38800101	CAP	1	39	OR08819N	O RING**	1	73	38302101	CONTACT ARM	1
06	38800401	COLLAR	1	40	15108301	SPRING	1	74	OR04819N	O RING**	1
07	38800301	PISTON STOP	1	41	OR02514M	O RING**	2	75	ER0300R	E RING	1
08	38800601	COMPRESSION SPRING	1	42	38803801	TRIGGER VALVE STEM	1	76	38802501	SAFETY	1
09	OR31520N	O RING**	1	43	OR21015N	O RING**	1	77	27308301	PIN^	3
10	38800201	PISTON HEAD VALVE	1	44	23303801	TRIGGER VALVE CAP	1	78	38802301	COMPRESSION SPRING^	1
11	OR40624N	O RING**	2	45	38803801A	SWITCH ASSEMBLY	1	79	38801801	TAIL PAWL^	1
12	38800501	CYLINDER CAP SEAL**	1	46	38804001A	TRIGGER ASSEMBLY	1	80	27308101	TORSION SPRING**^	1
13	38801101	CYLINDER SEAL	1	47	38803501	NAIL SUPPORT COVER	1	81	27308001	STOPPER^	1
14	OR29735N	O RING**	1	48	38803401	NAIL SUPPORT	1	82	38801701	DOOR^	1
15	38800901A	PISTON ASSEMBLY**	1	49	LN0500N	LOCK NUT	1	83	38303701	STRAIGHT PIN	1
16	OR35020N	O RING**	1	50	38803101	MAGAZINE	1				
17	38800801	CYLINDER	1	51	27309802	RUBBER PAD	2				
18	OR40030N	O RING**	2	52	25309701	STEP PIN	1				
19	38801201	CYLINDER RING	1	53	38803601	SPRING^	1				
20	OR53020N	O RING**	1	54	23308201	SPRING RECEIVER^	1				
21	38801301	BUMPER**	1	55	23306401	RUBBER WASHER**	6				
22	38800701	BODY	1	56	38803201	MAGAZINE COVER	1				
23	HS06100B-22	HEX.SOC.HD.BOLT**	3	57	27305701	COMPRESSION SPRING^	1				
24	OR01919N	O RING**	2	58	38801601	STEP PIN^	1				
25	38302003A	Depth of Drive Assembly	1	59	38801501	FEED PAWL^	1				
26	OR04015N	O RING**	1	60	16103001	PU RING**	1				
27	HS05080B-25	HEX.SOC.HD.BOLT**	1	61	38801901	CHECK PAWL^	2				
28	FW050120B-08	FLAT WASHER	1	62	38802101	COMPRESSION SPRING^	1				
29	RP3030S	ROLLED PIN	1	63	38802001	STEP PIN^	1				
30	38302601	STEP PIN	2	64	38801401	NOSE^	1				
31	38803301	SAFETY COVER	1	65	OR09116N	O RING**	1				
32	11106601	COVER	1	66	38802201	FEED PISTON	1				
33	OR15618N	O RING**	1	67	OR18025N	O RING**	1				
34	23303501	TRIGGER VALVE	1	68	27307101	FEED PISTON STOP	1				